

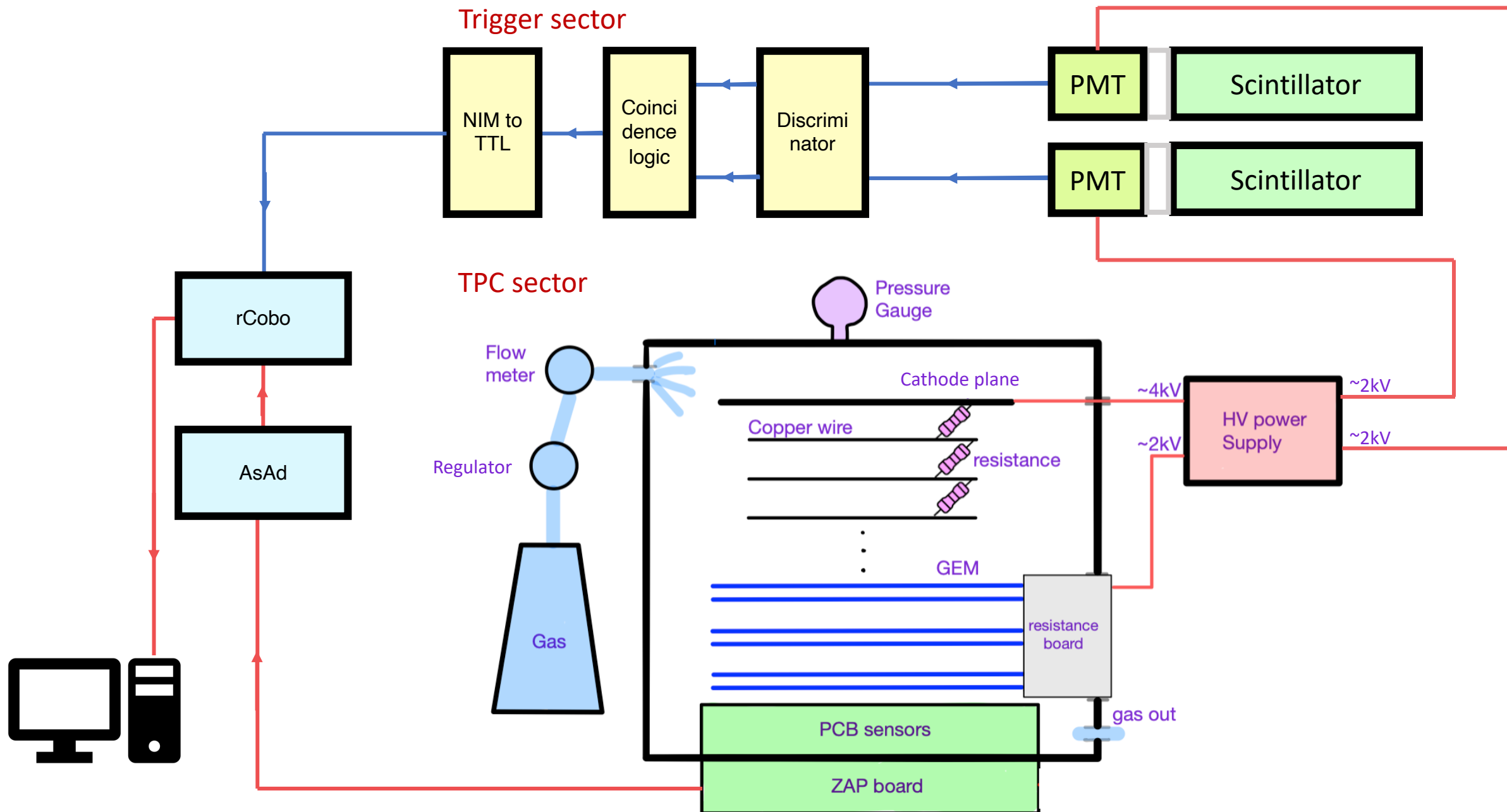
# Status of **AT-TPC** prototype



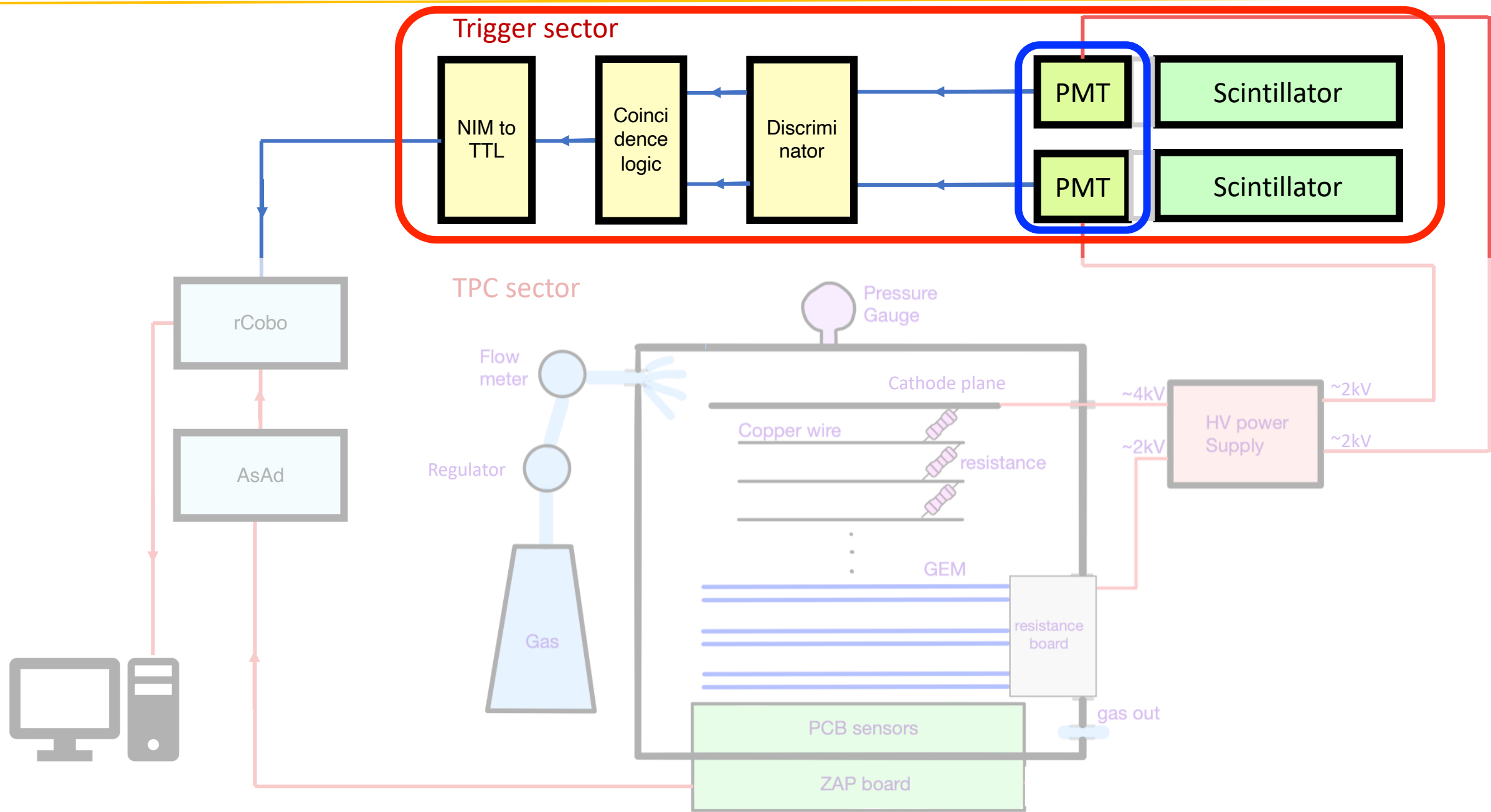
**Geunwoo Kim**  
**Hyebin Song**  
**Yongsun Kim**  
LAMPS meeting  
2020. 08. 13



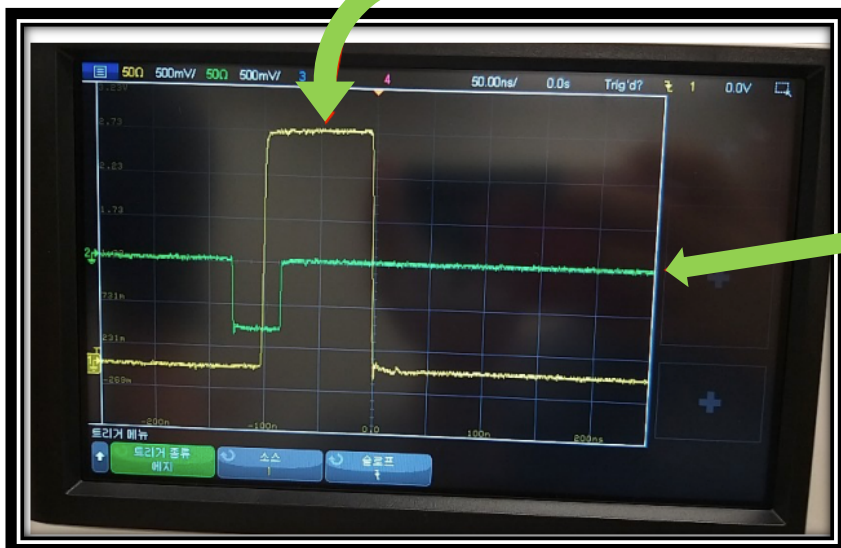
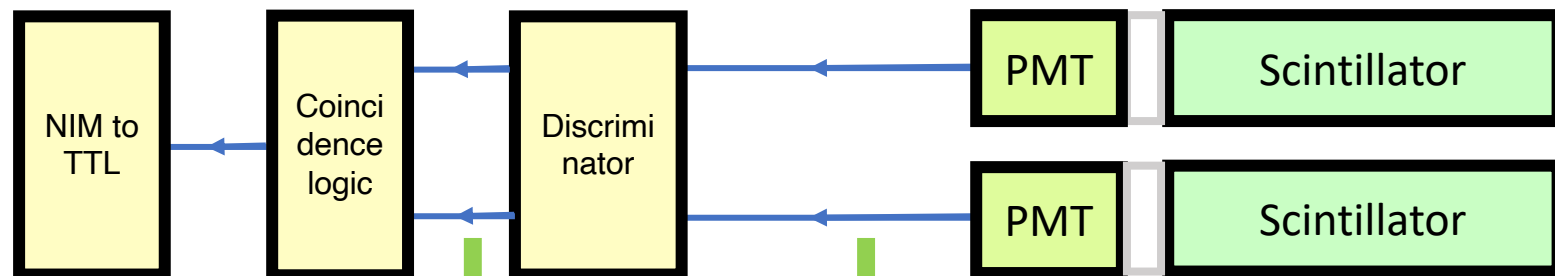
# Schematic diagram of prototype detector



# Trigger system test

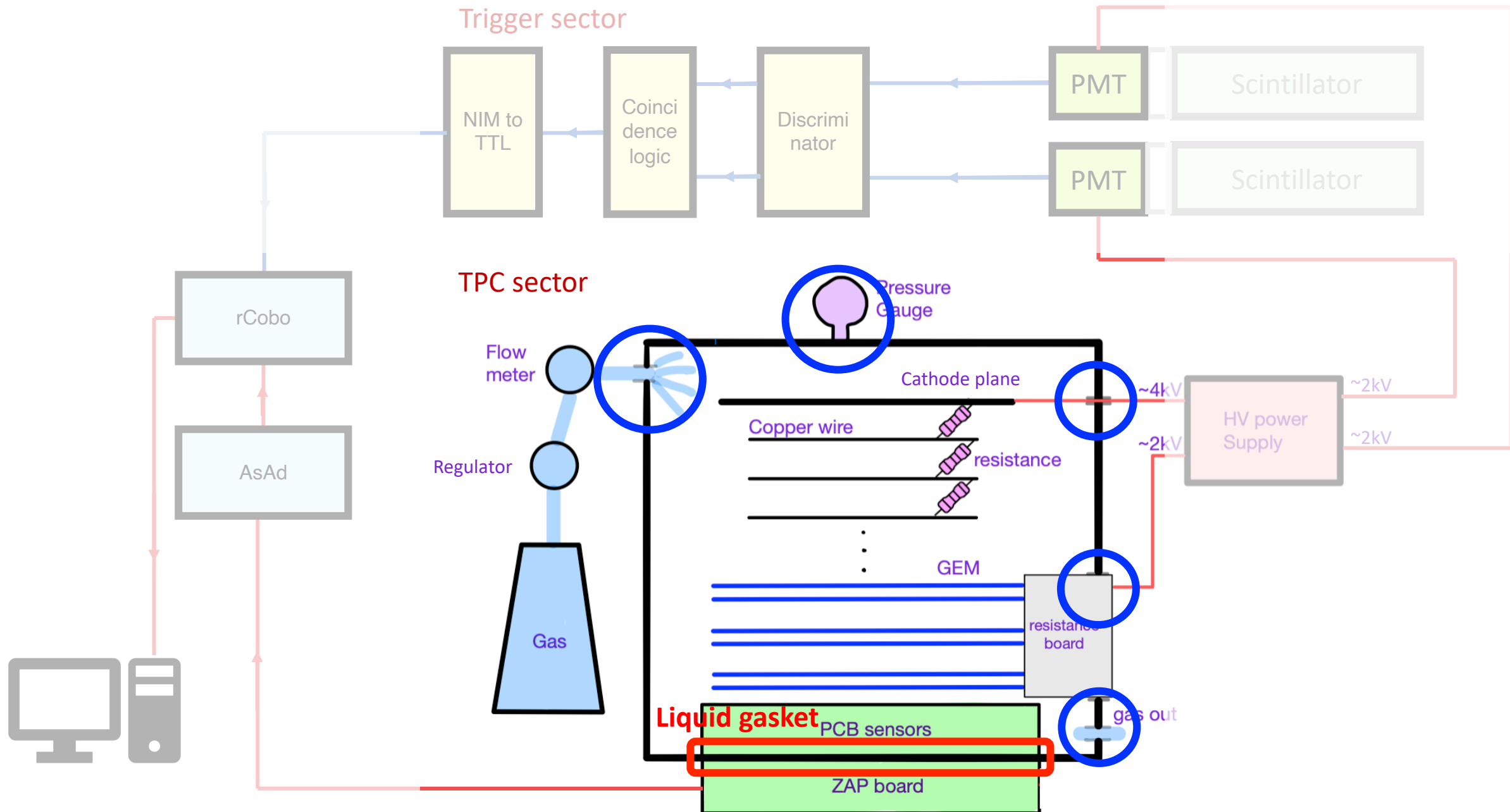


# Trigger system test : Results





# Gas & HV connector to Chamber

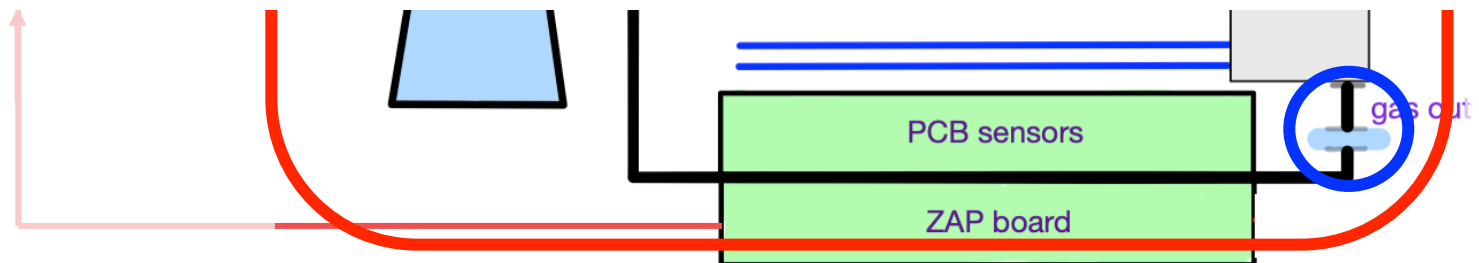
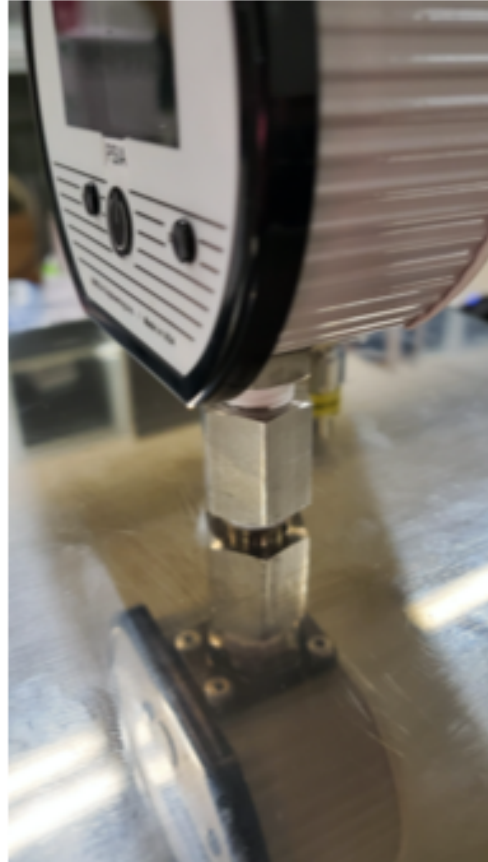
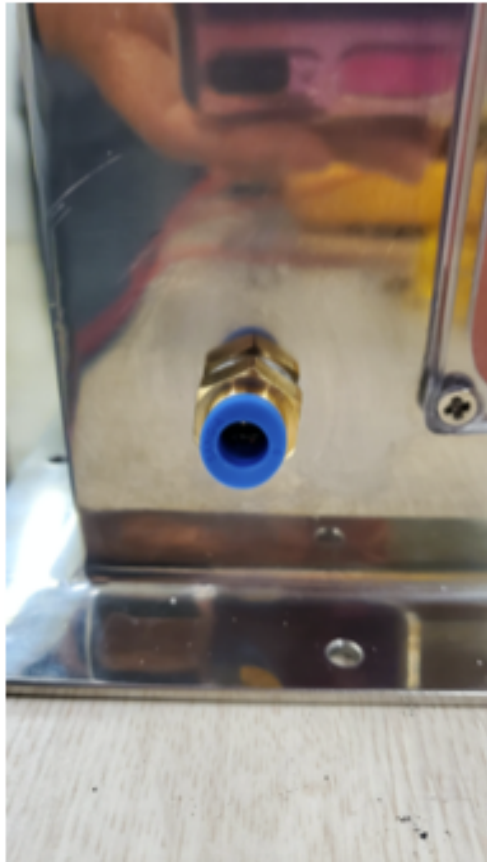


# Gas & HV connector to Chamber

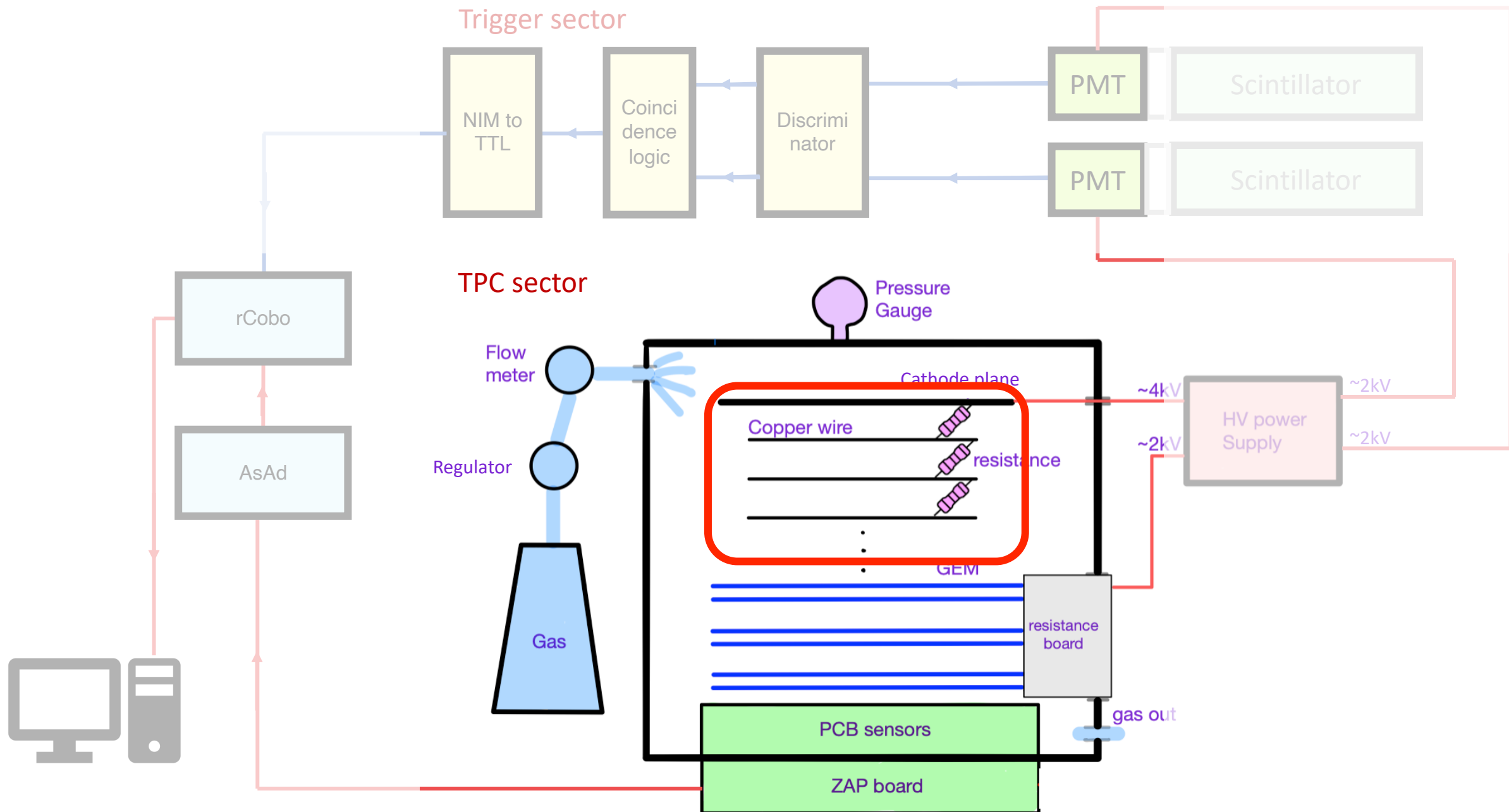
Trigger sector

PMT

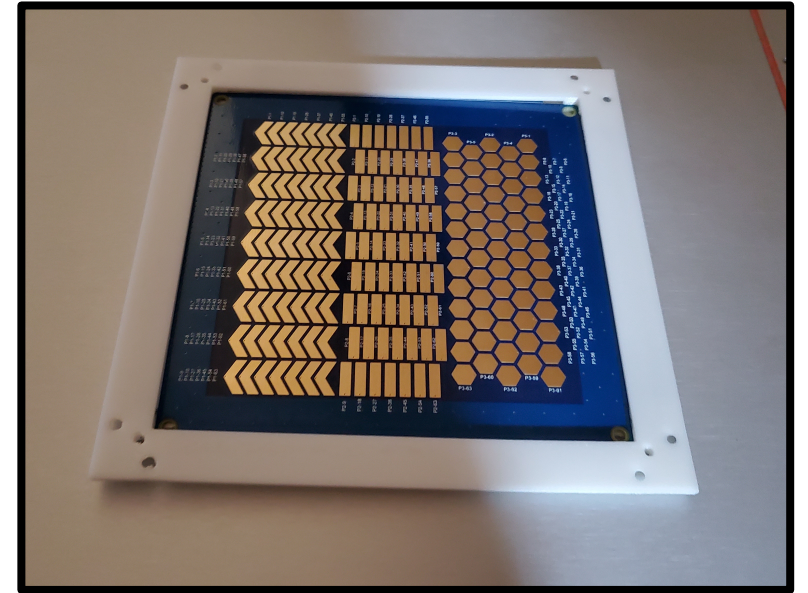
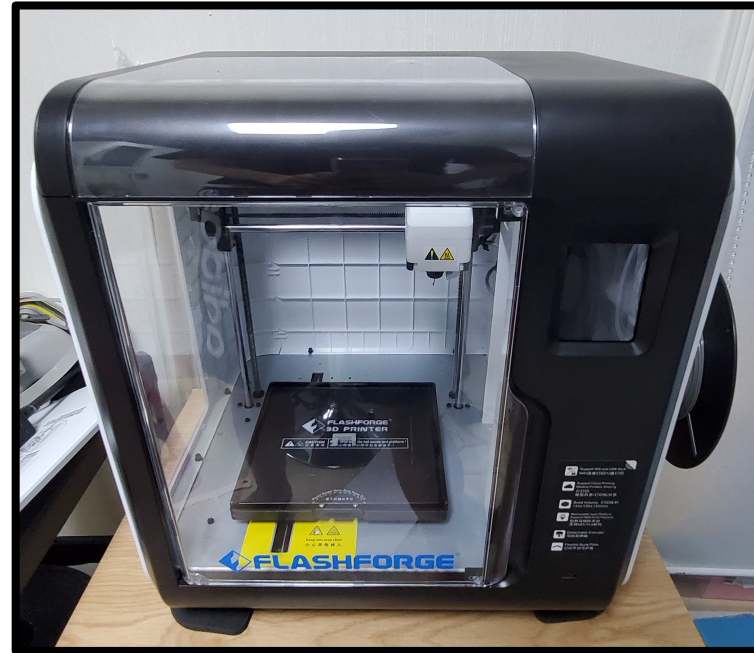
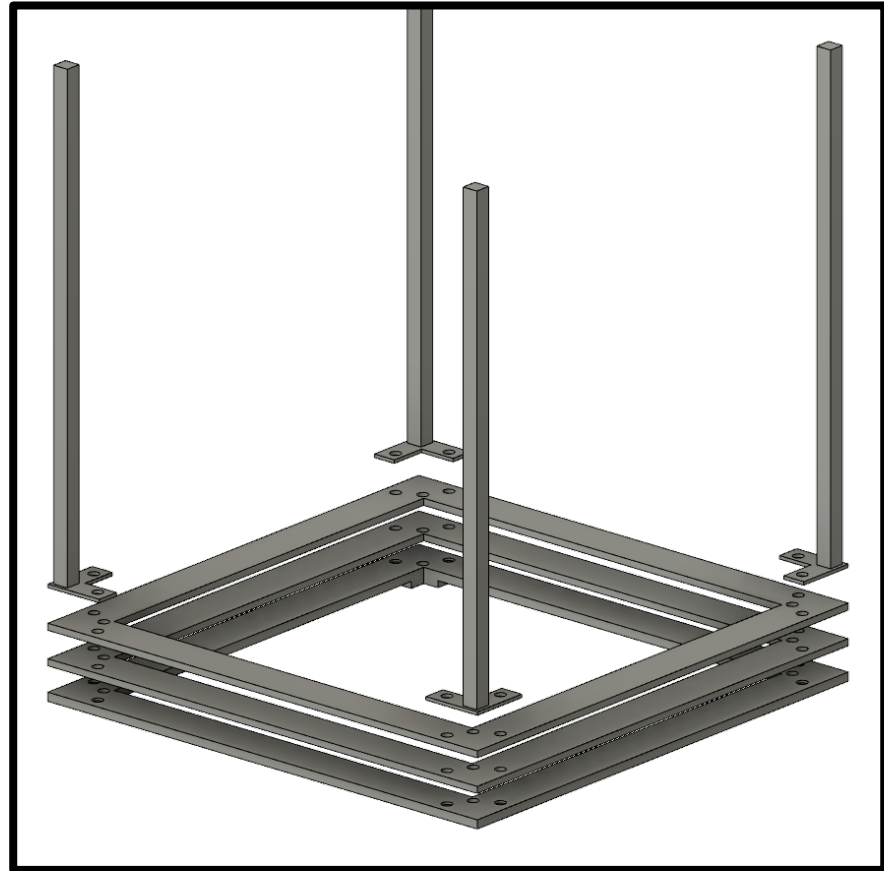
Scintillator



# Field cage

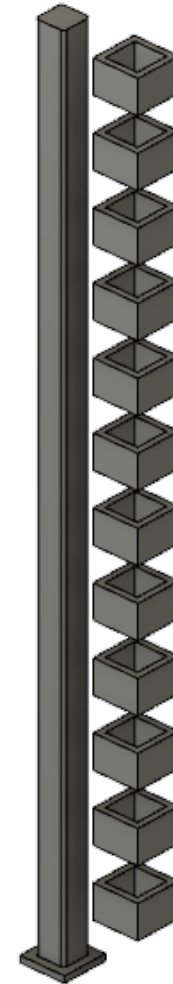
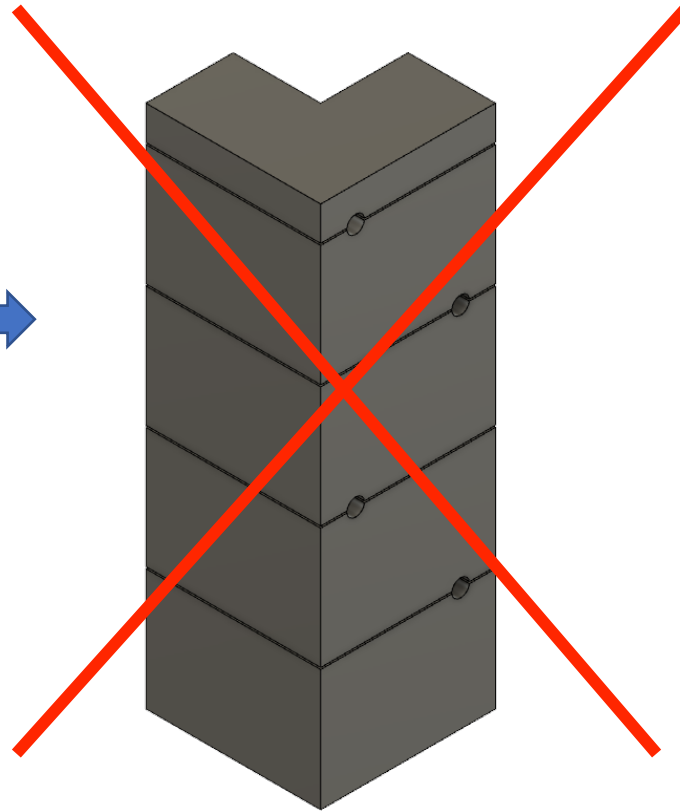
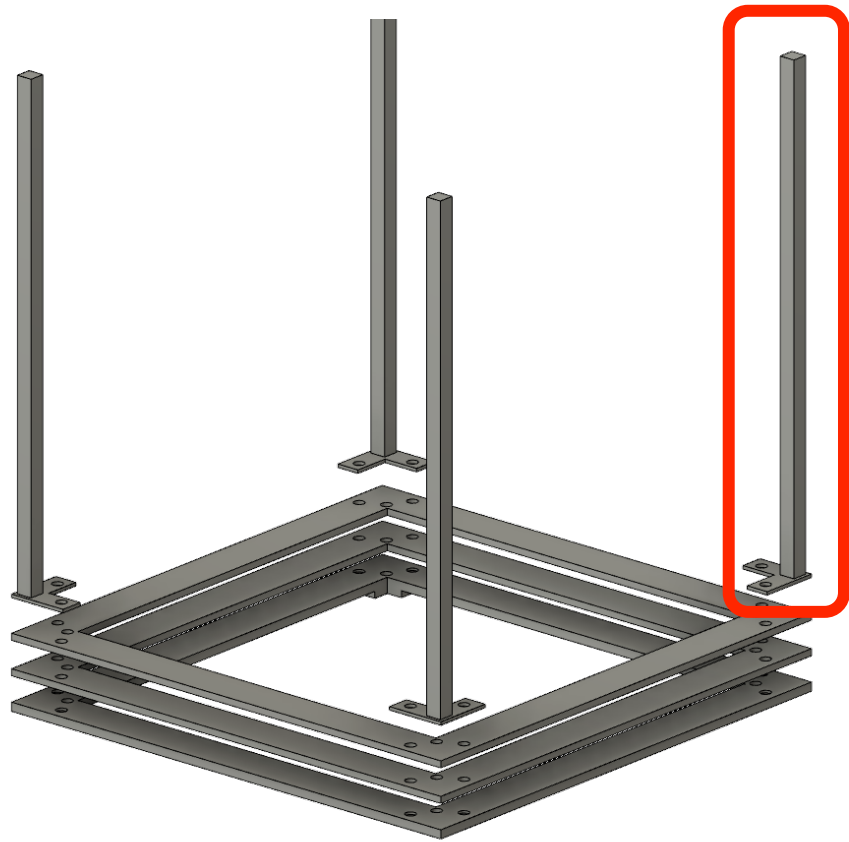


# Field cage : 3D printing

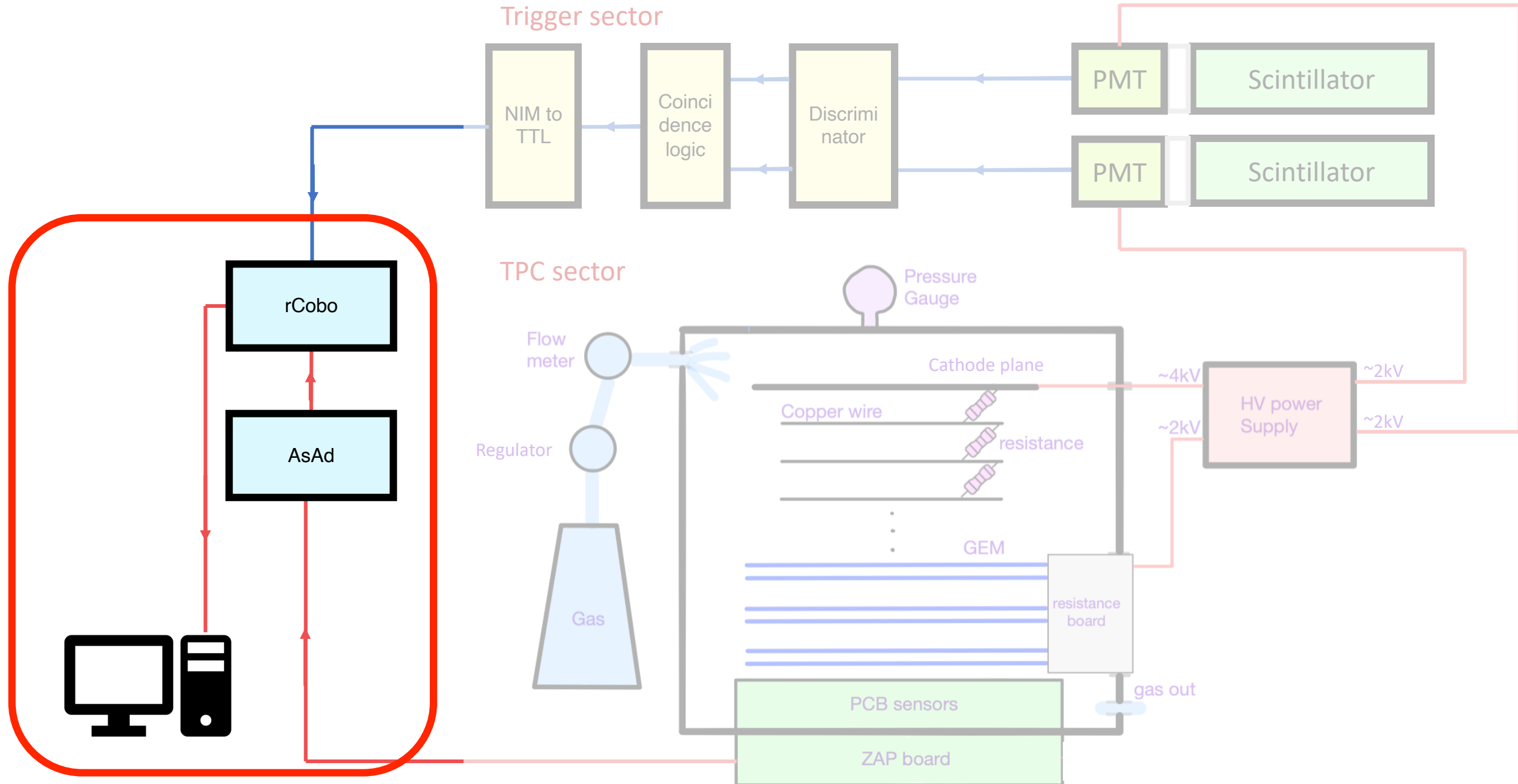




# Field cage : 3D printing



# GET software



# GET software : signal from readout board will be tested

