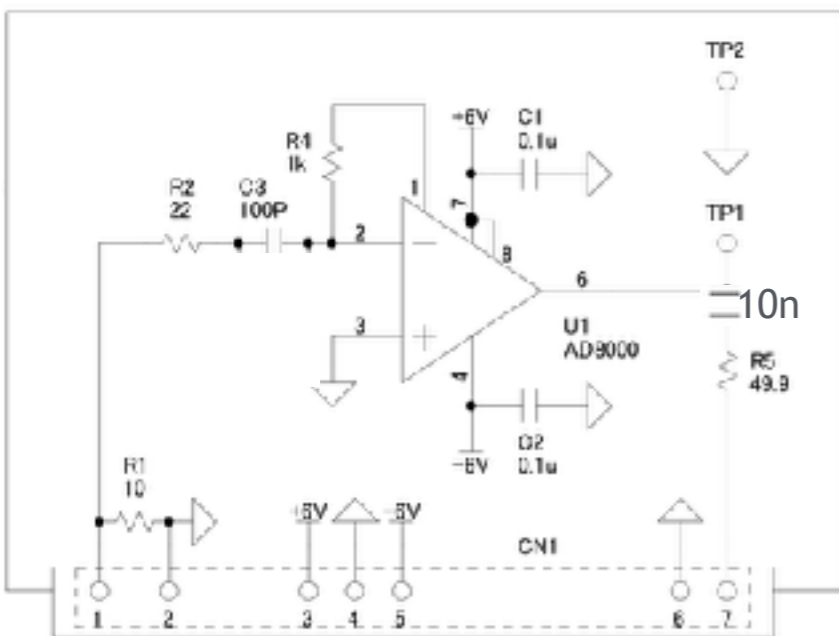


TEST CONDITIONS

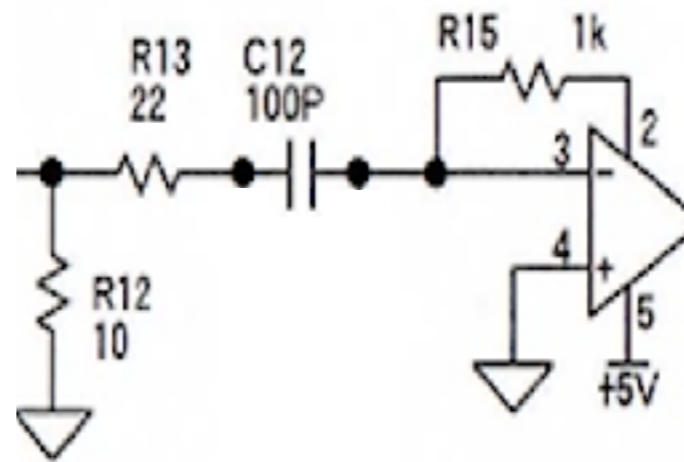
Prototype board

$\sigma_T \sim 117$ ps



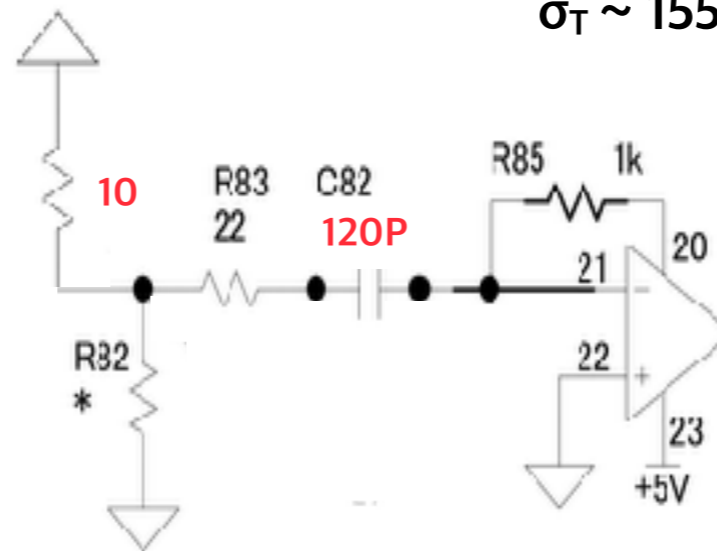
In 2019 2nd Ver. board

same as prototype $\sigma_T \sim 130$ ps



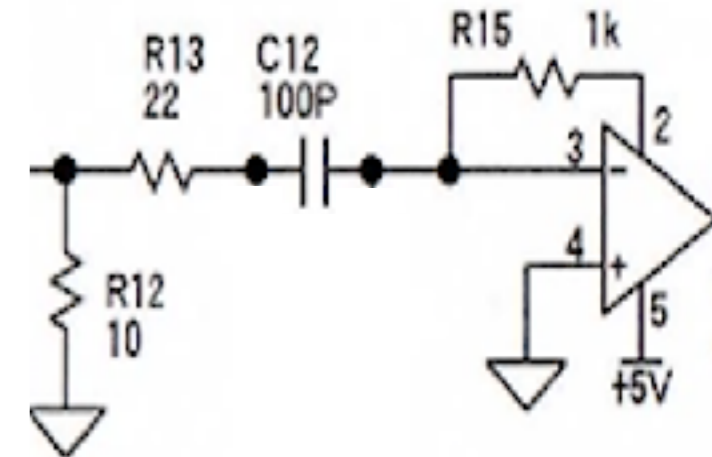
In 2020

$\sigma_T \sim 155$ ps



3rd Ver. board

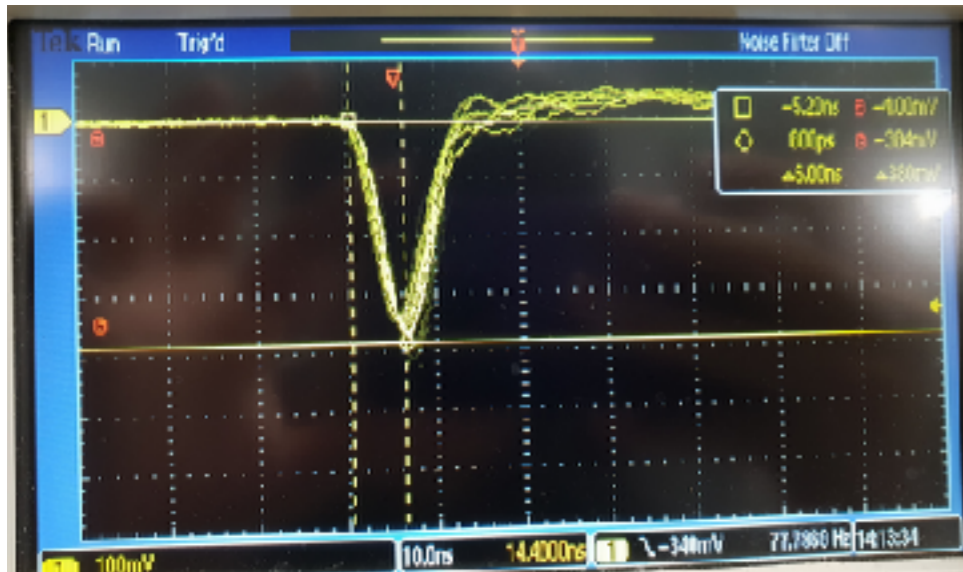
$\sigma_T \sim 147$ ps



90SR SOURCE PULSE SHAPE

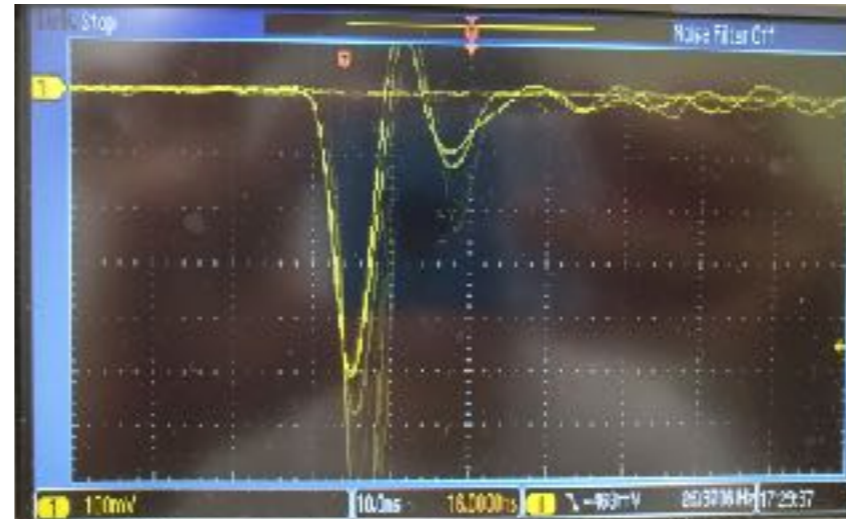
$V_{max} \sim 380$ mV

Prototype board



2nd Ver. board

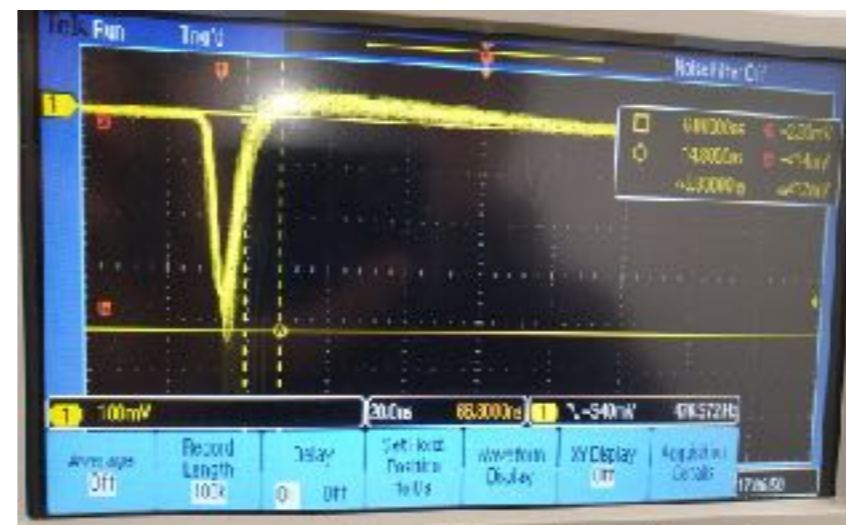
$V_{max} \sim 500$ mV



3rd Ver. board

$V_{max} \sim 360$ mV

$V_{max} \sim 400$ mV



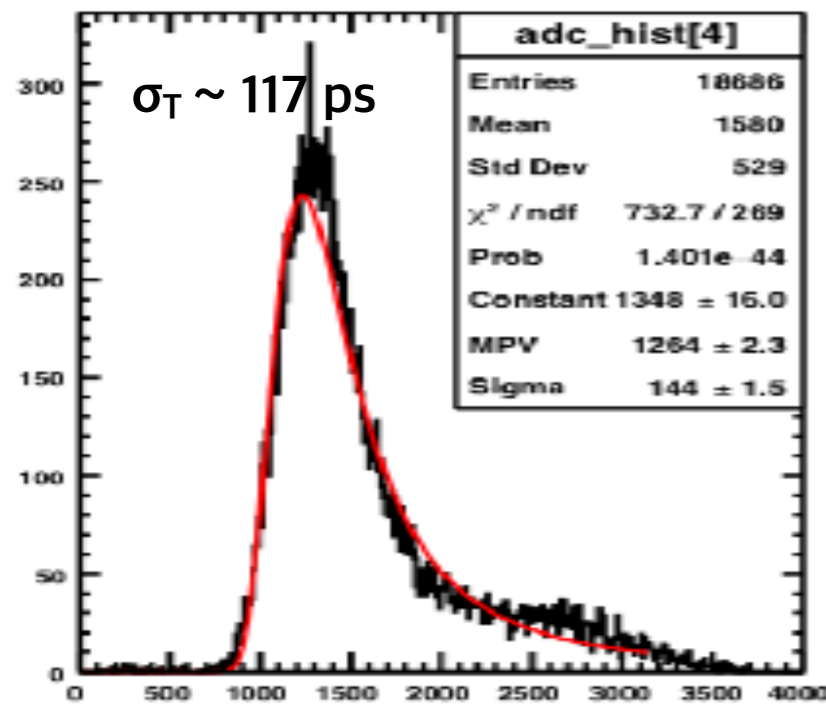
SUMMARY

Mean : 1580, NIM amp. gain : x 10

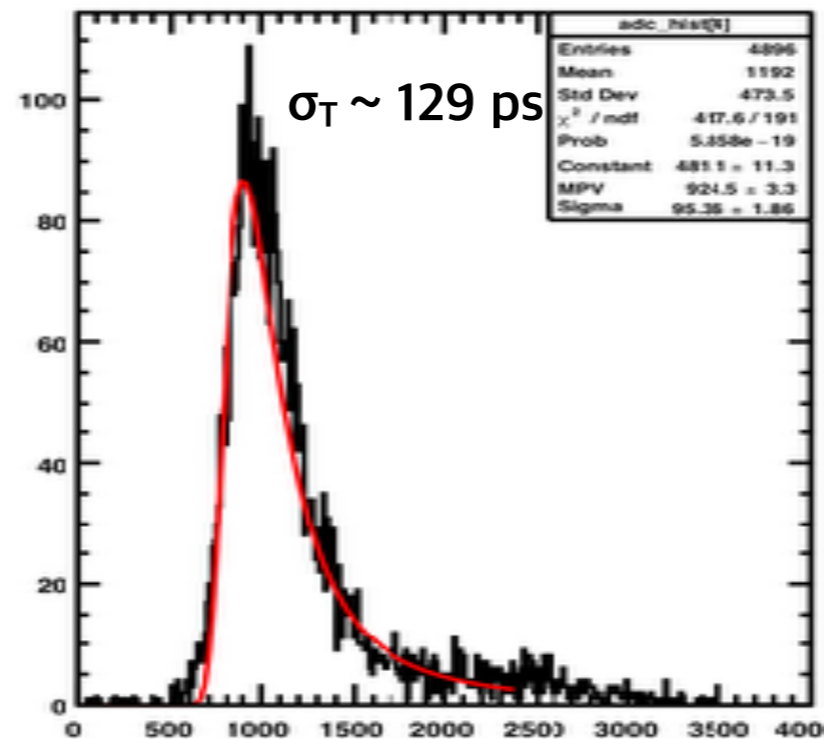
Mean : 1192, NIM amp. gain : x 10

Mean : 280, NIM amp. gain : x 5

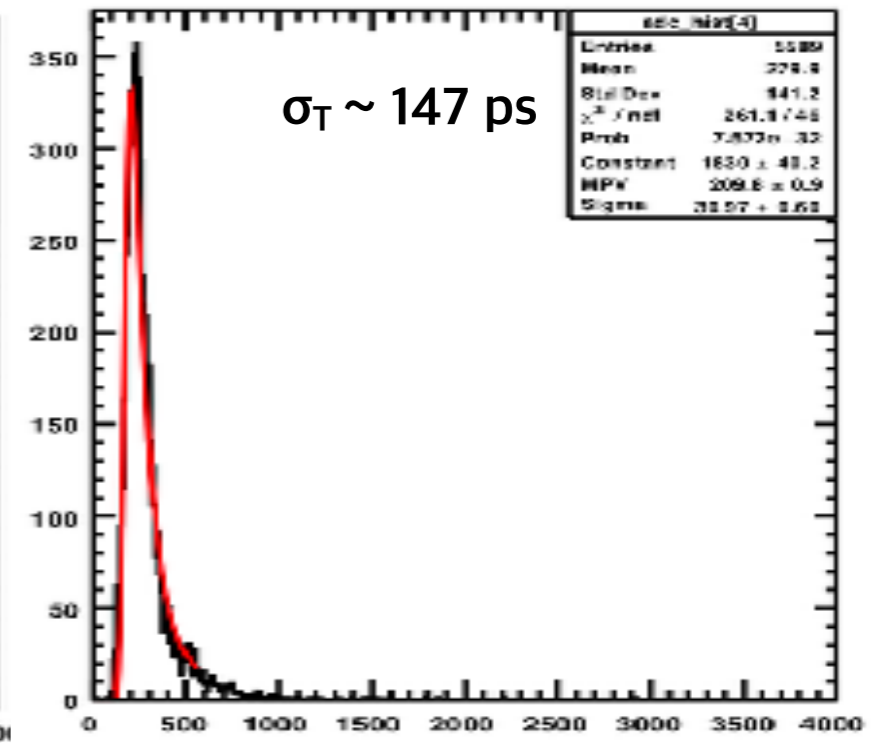
EJ-232 Hodoscope left, adc



EJ-232 Hodoscope left, adc



EJ-232 Hodoscope left, adc

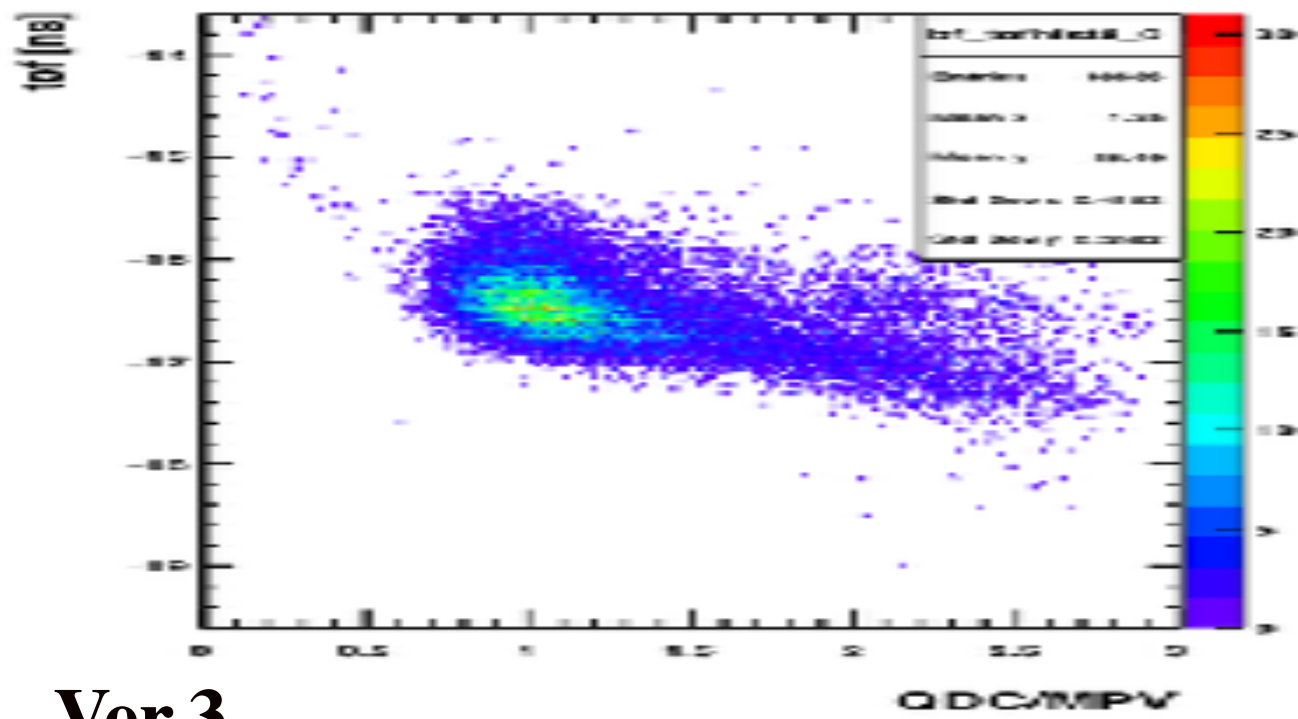


	$\sigma_T(\text{Hodo})$	$\sigma_T(\text{Trig.1})$	$\sigma_T(\text{Trig.2})$
Prototype(Reference)	116 ± 1 ps	104 ± 1 ps	103 ± 1 ps
Ver.2 condition 1	129 ± 2 ps	83 ± 3 ps	94 ± 2 ps
Ver.2 condition 2	146 ± 2 ps	83 ± 3 ps	100 ± 3 ps
Ver.3	147 ± 2 ps	103 ± 2 ps	95 ± 3 ps

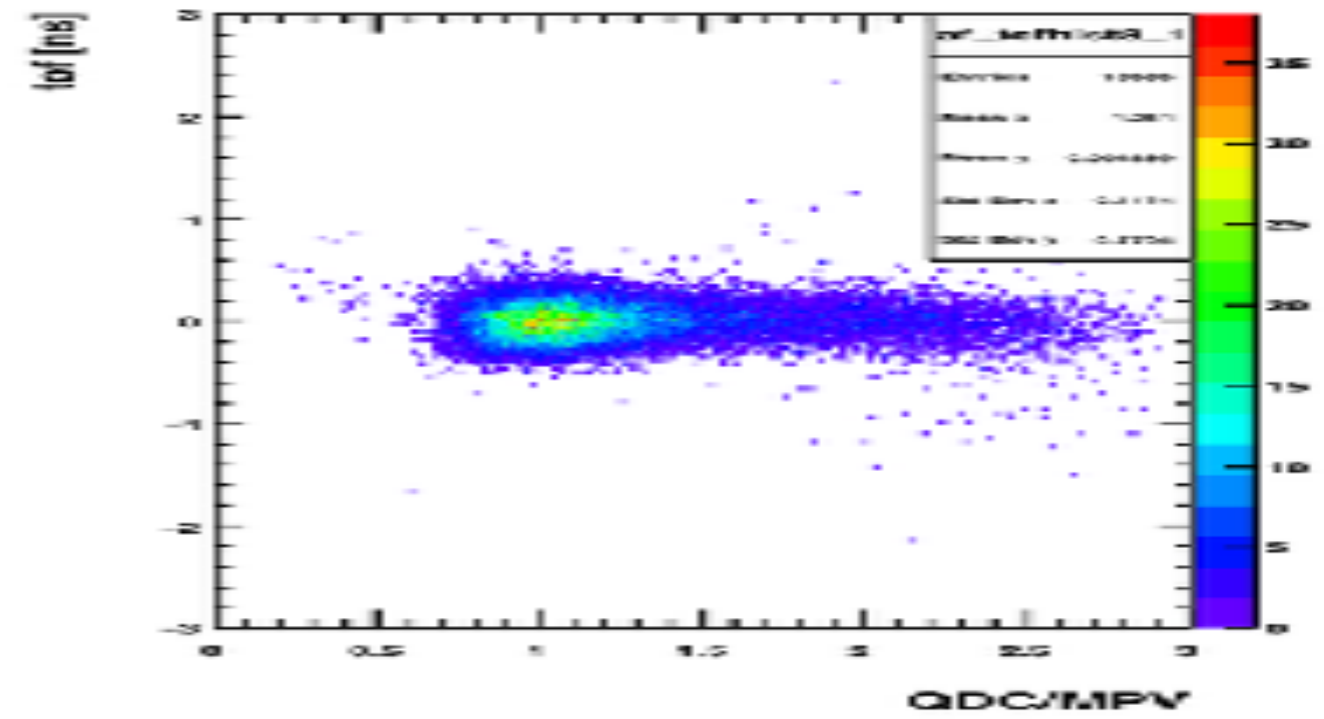
TOF:QDC HISTOGRAMS

Prototype

TOF_{Hodo - trg1} : QDC_{trg. left}

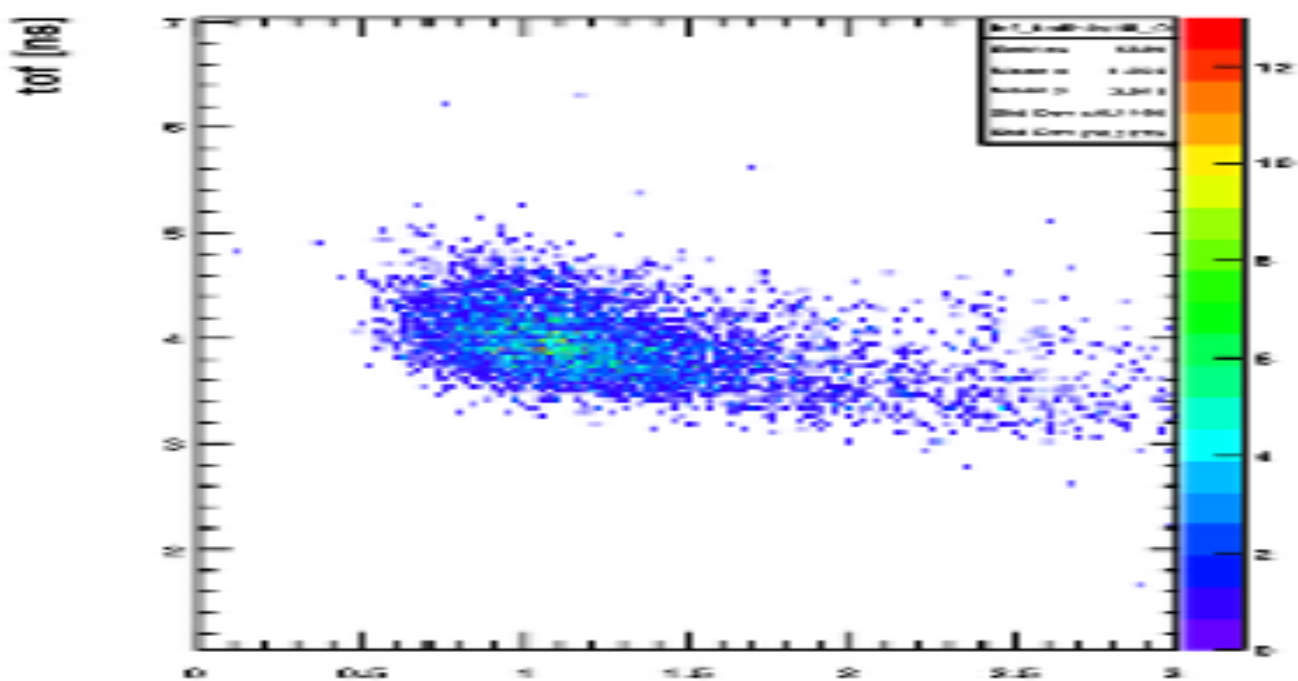


TOF_{Hodo - trg1} : QDC_{trg. left}



Ver.3

TOF_{Hodo - trg1} : QDC_{trg. left}



TOF_{Hodo - trg1} : QDC_{trg. left}

