

# LAMPS meeting 20190920

Lee Jongwon

**KOREA**  
UNIVERSITY



# Talk list

- LAMPS homepage
- LAMPS simulation lib
- LAMPS neutron detector

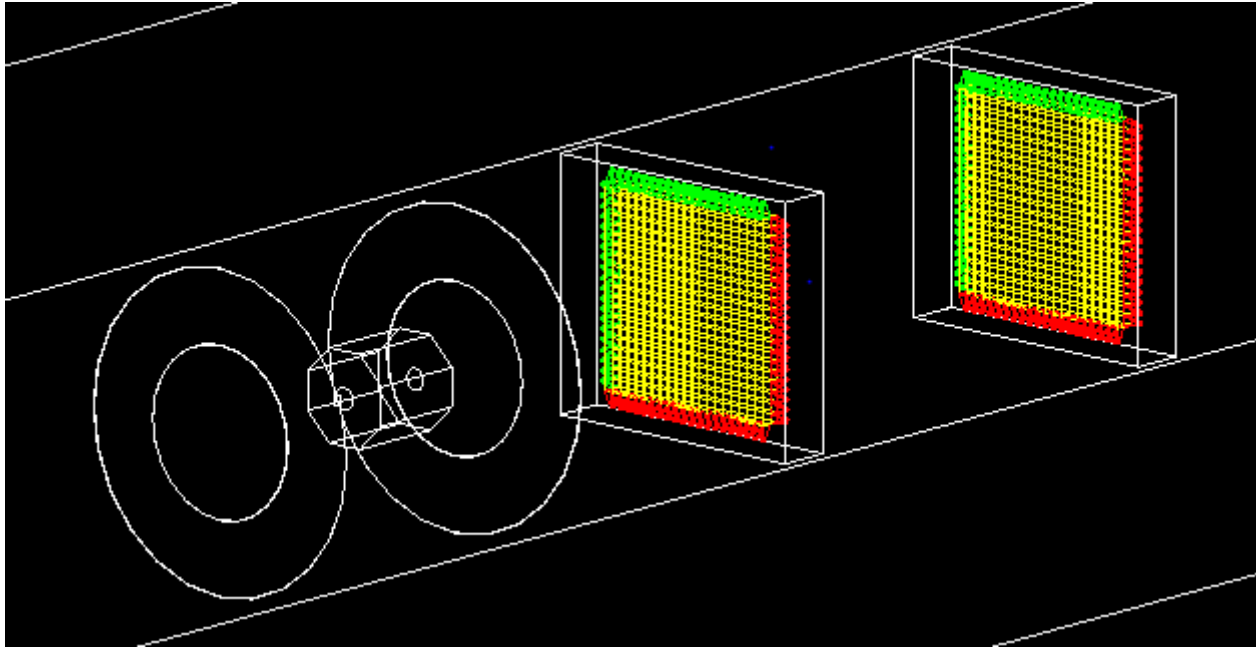
# LAMPS homepage

- [http://site.lamps.re.kr/lamps\\_web](http://site.lamps.re.kr/lamps_web)

The screenshot shows the LAMPS website homepage. At the top right, there are links for "My account" and "Log out". The main header area is blue and contains the text "LAMPS experiment" and "Telescope for exotic nuclear matter". Below the header is a navigation bar with tabs for "News", "Physics", "Detector", "Meeting Log", "Papers/Presentations", "Reference", "External Links", and "About us". The "Physics" tab is currently selected. On the left side, there is a search box with the label "Search" and a magnifying glass icon, and a "Tools" section with a link for "Add content". The main content area is titled "Physics" and has "View" and "Edit" buttons. Below the title, the text "LAMPS Physics" is visible.

관리자 모집합니다.

# LAMPS Simulation Lib



- Event Generator : ?
- Hit information I/O : Done
- Geometry
  - NDA : done, frame will be added, Position information is required
  - TPC : simple octagonal pillar shape with hole / Will be update
  - TPC magnet : Will be update, Field map data required
  - Target : ?
  - TOF : ?
  - Starting counter : ?
  - Beam pipe : ?
  - Beam diagnostic chamber : ?

# Neutron detector status

- LTE is arrived (9/19)
  - Status
    - Dr, Lee Hyosang confirmed LTE works with 1 TCB boards & 10 FADC boards
    - We will change it to 2(3) TCB, 60 FADC boards
    - Connection with TCB (with cat.7) : done
    - Code update for TCB & FADC : done
    - Adjust LTE control program : undergoing
- Timeline
  - Neutron detector array DAQ build : 9/21
  - Neutron detector array DAQ long-run : Start from 9/24.
  - DAQ stabilization : After 10/7