

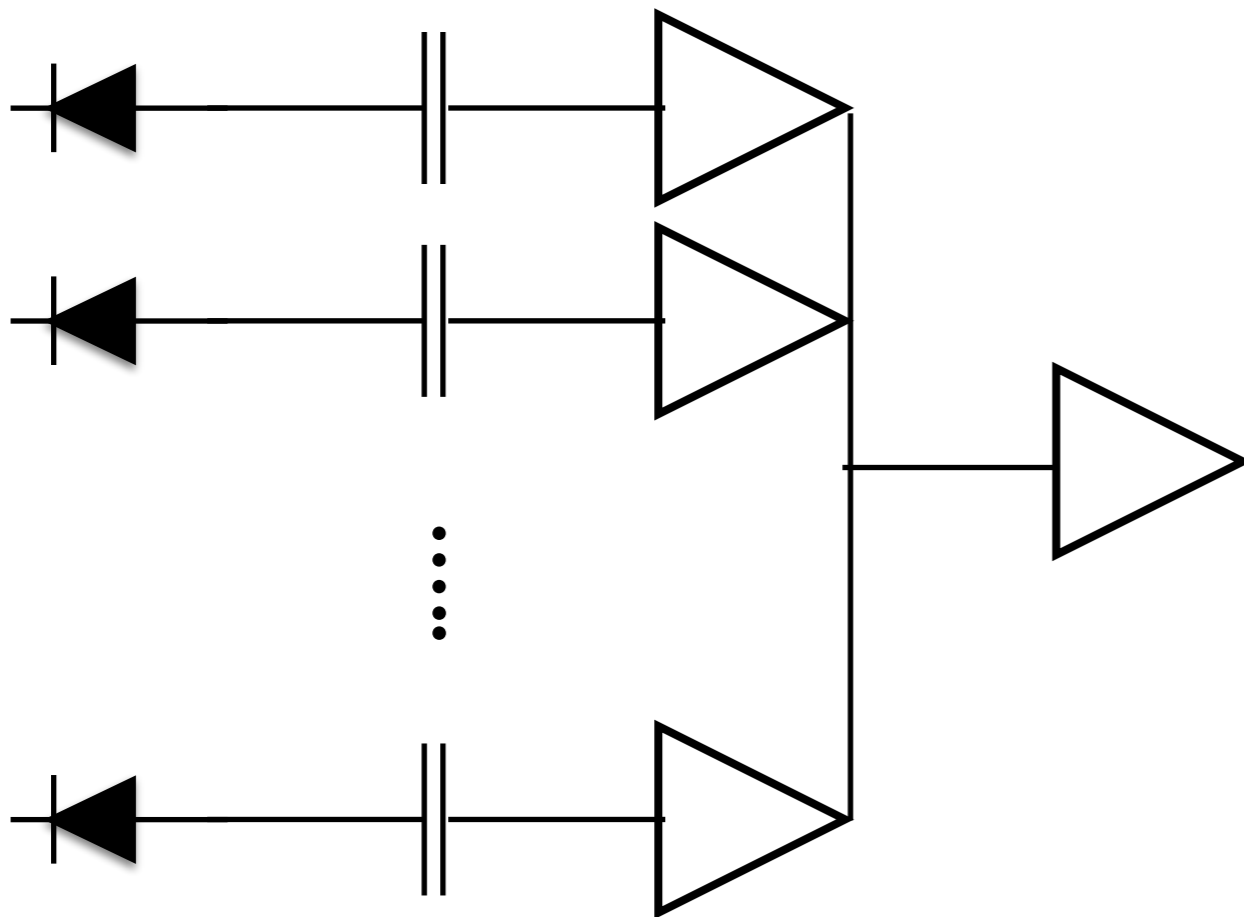
Hanul meeting

Hodoscope new circuit / BH2 frame

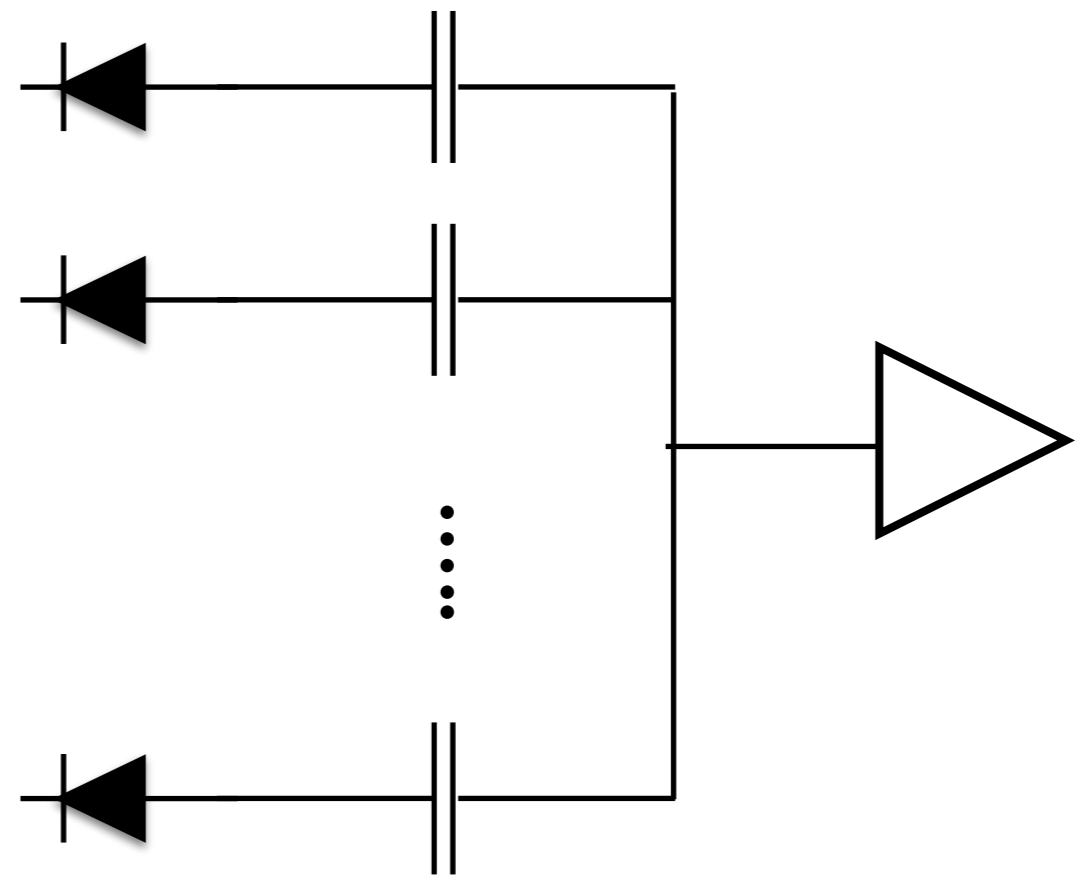
**Korea Univ.
Wooseung Jung**

HODOSCOPE NEW CIRCUIT

Original Ver.



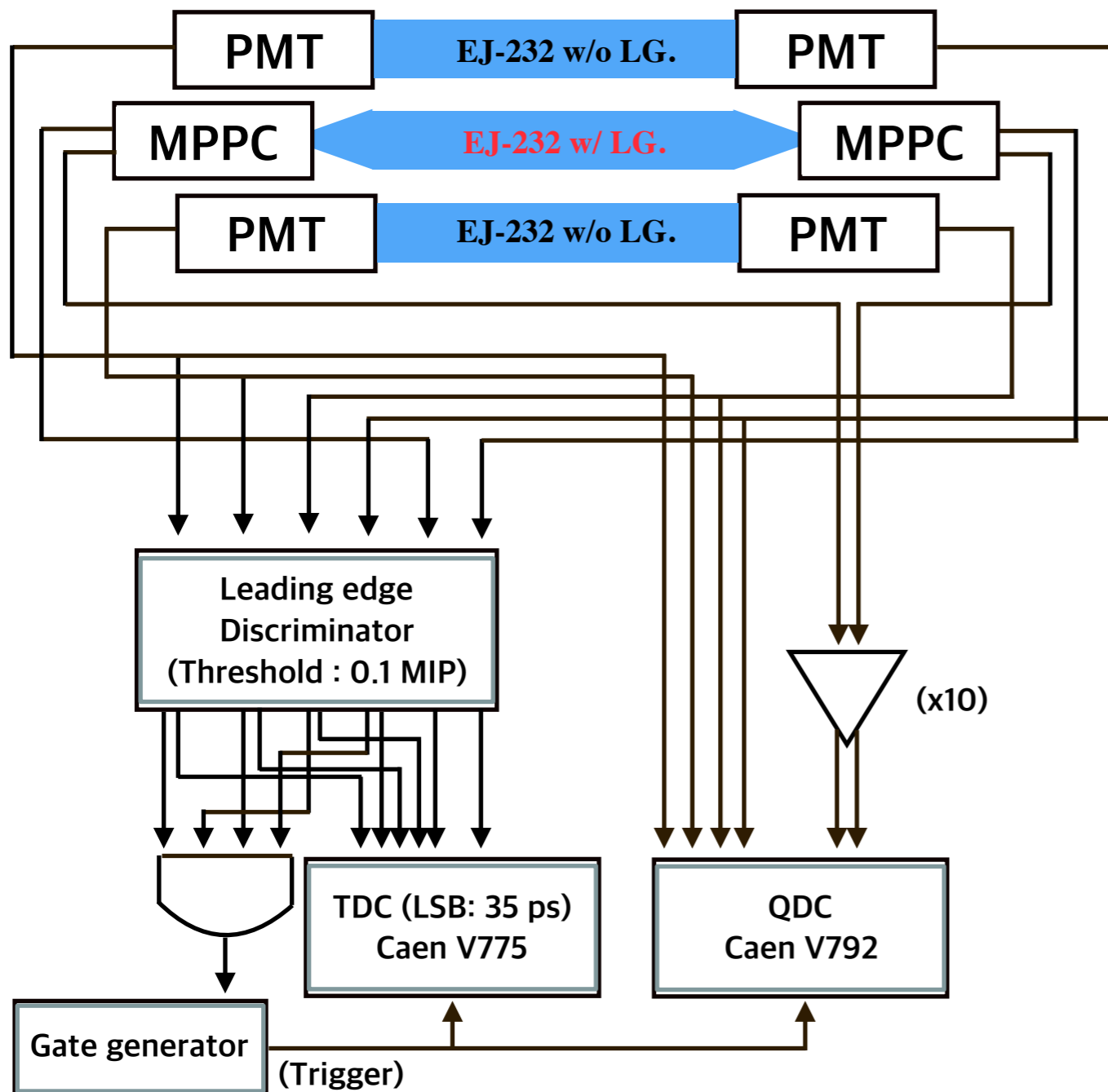
**New Ver.
(Parallel)**



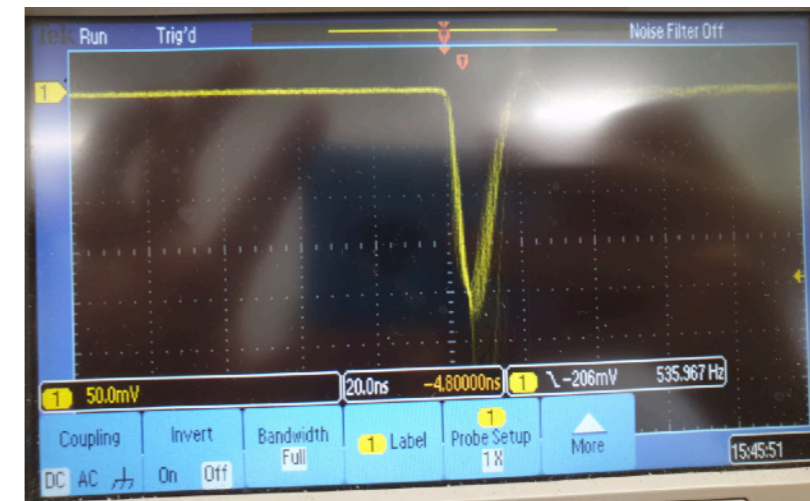
TEST BENCH

Setup

Scintillators : EJ-232



Scintillator + ^{90}Sr output

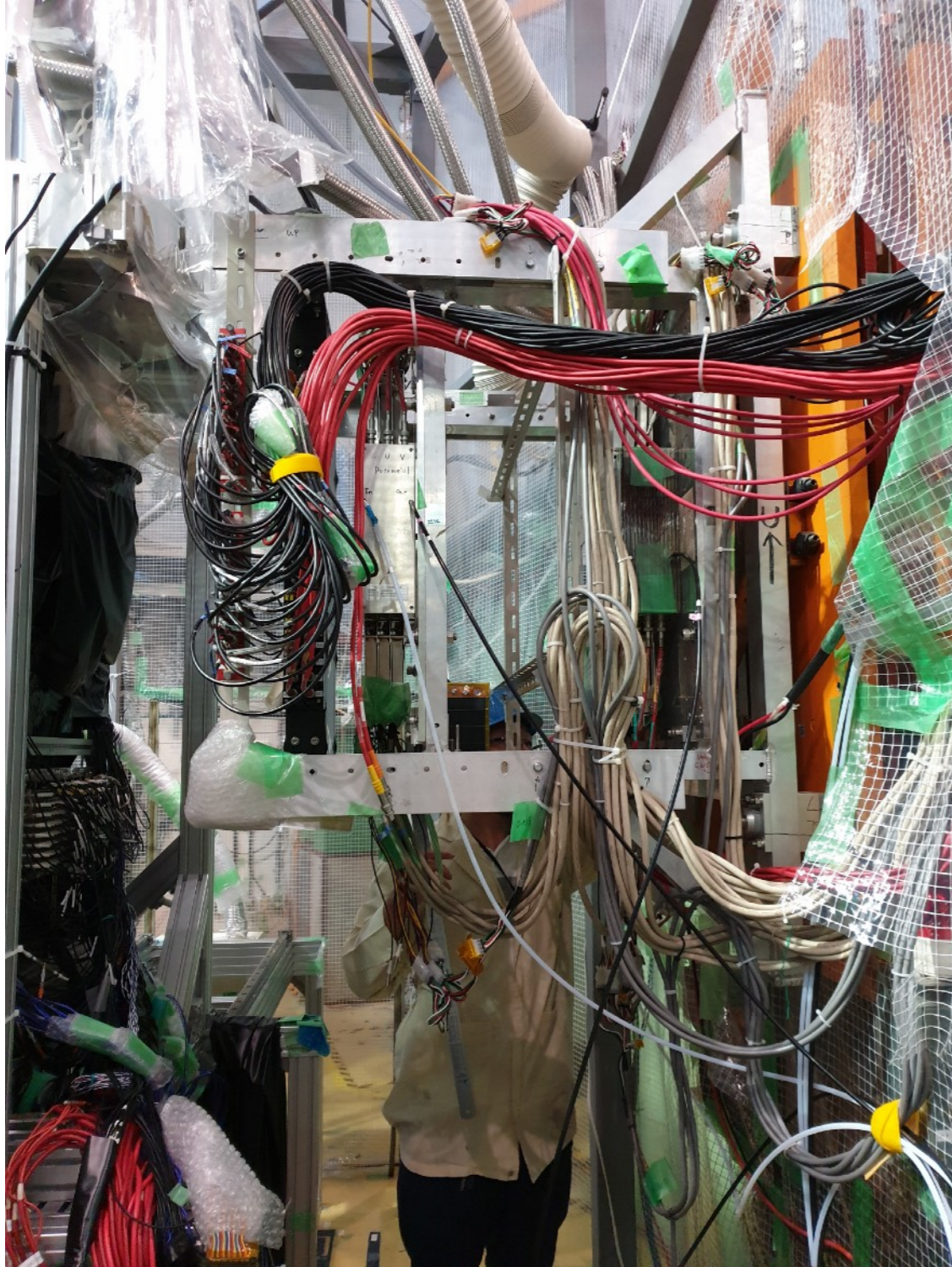


	$V_{1\text{ p.e.}}$	$^{90}\text{Sr } V_{\text{max}}$
Previous(Reference)	7.4 mV	~ 380 mV
Original Ver.		
Modified Ver.(Parallel)	~ 5 mV	~ 250 mV

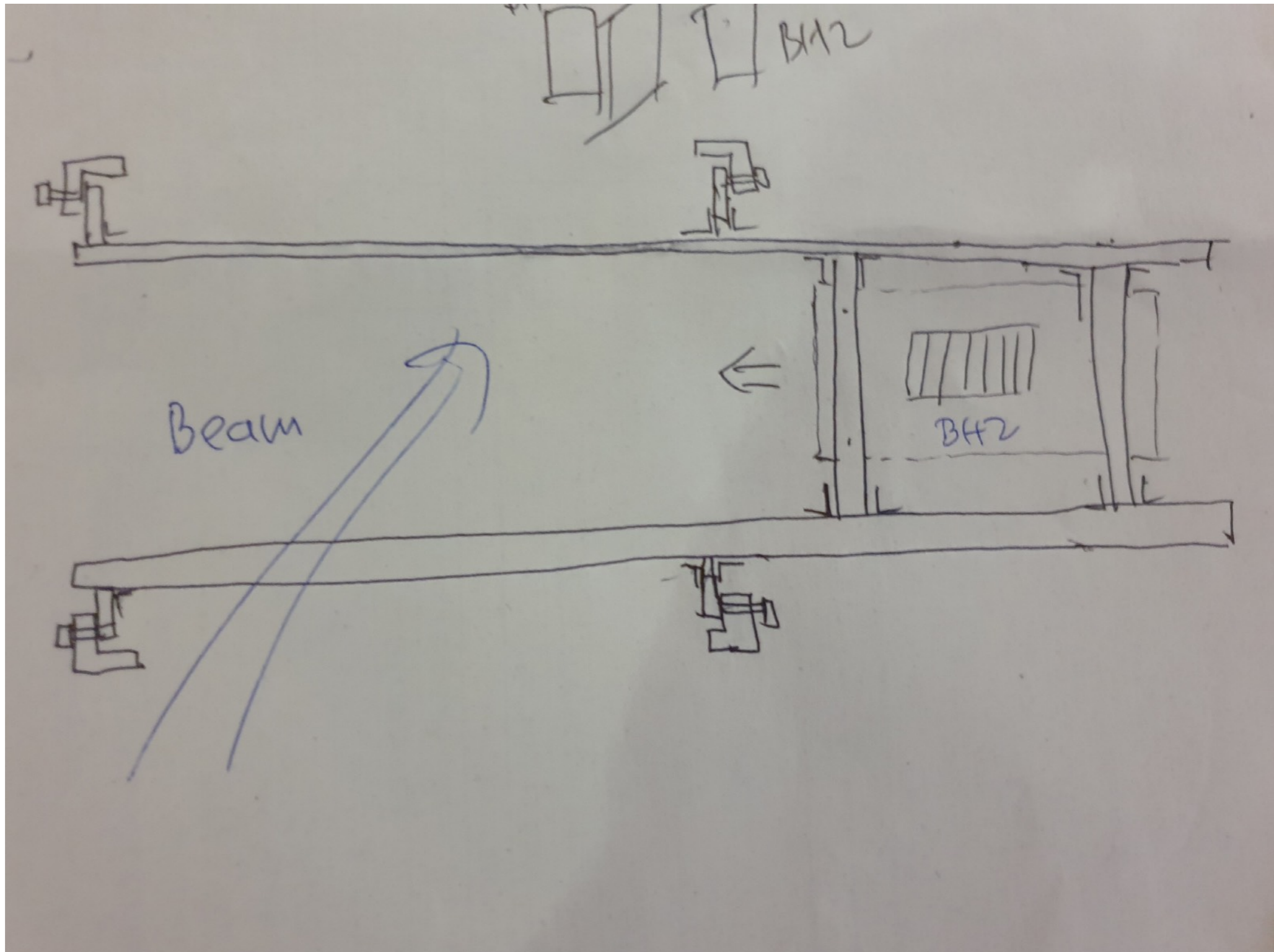
PLAN

Original Ver. 9/24 to 9/28
 New Ver. 9/29 to 10/4

BH2 INSTALLATION



SUPPORTING STRUCTURE



BACKUP
