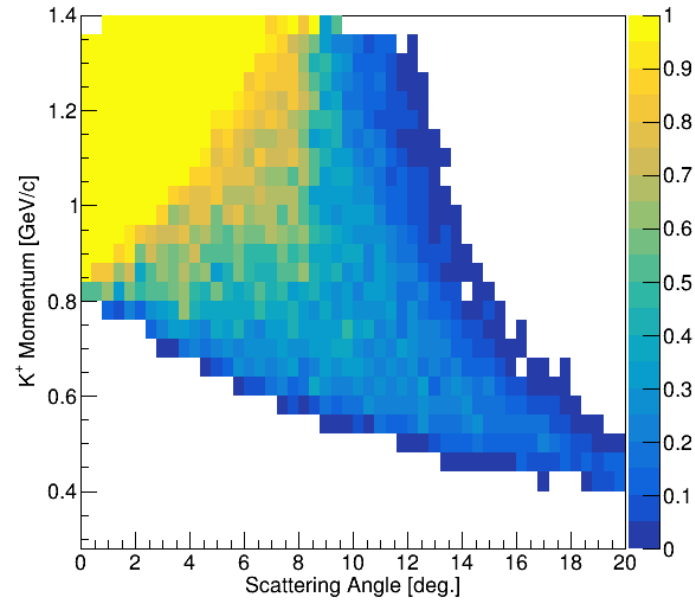
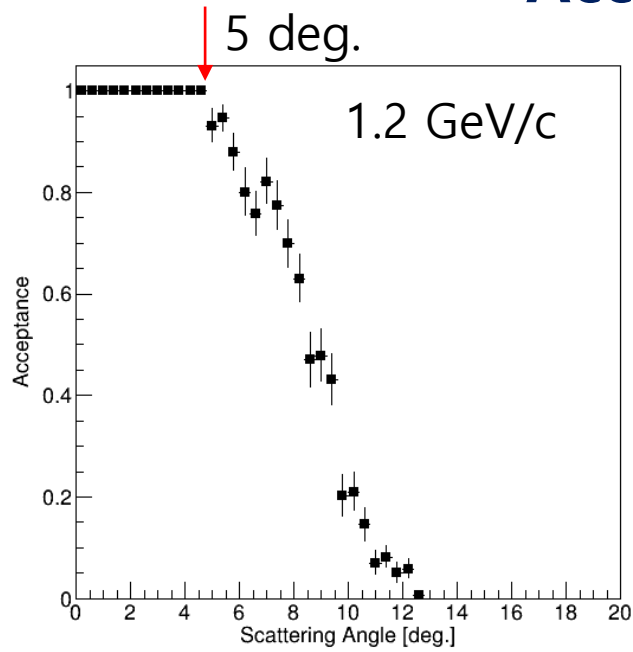


HANUL Meeting

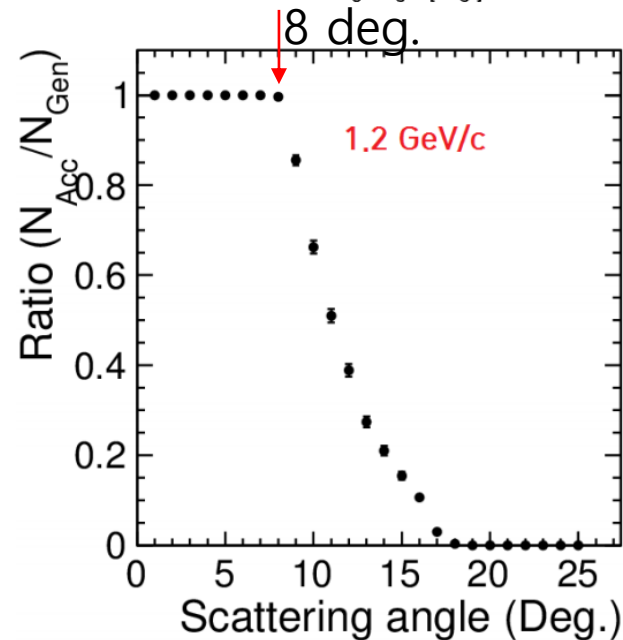
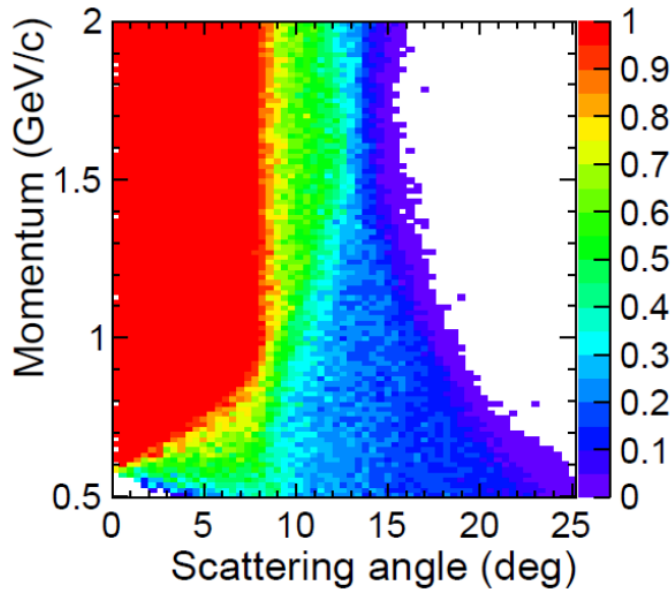
August 8th, 2018

Seongbae Yang
Department of Physics
Korea University

Acceptance

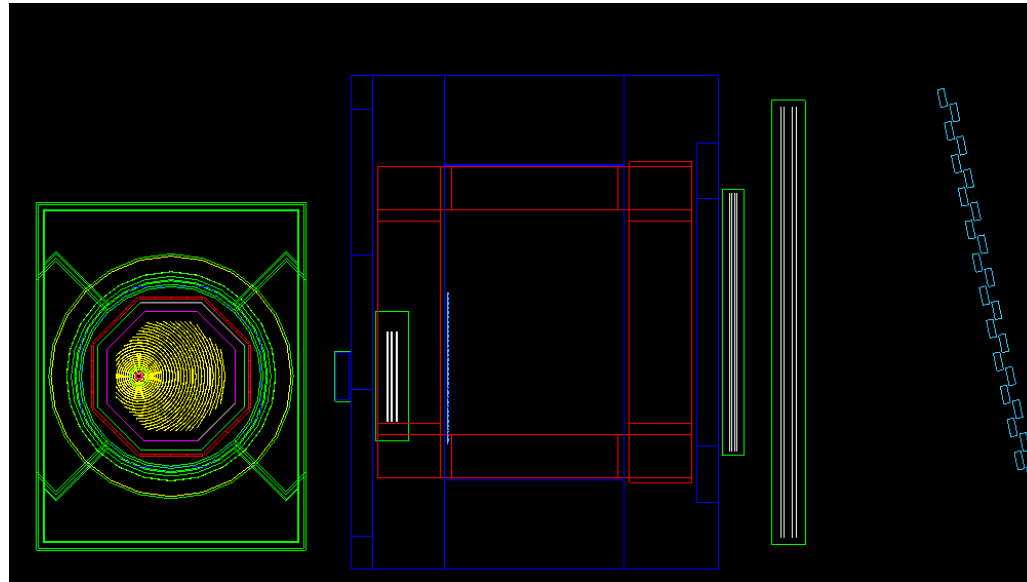


*E42 PAC



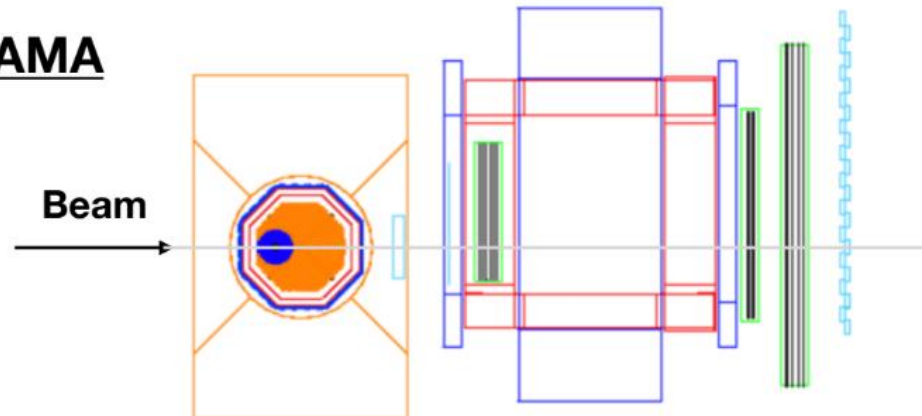
Detector Construction

*Hyperon Spectrometer + E07KURAMA (shift x:+240 mm)

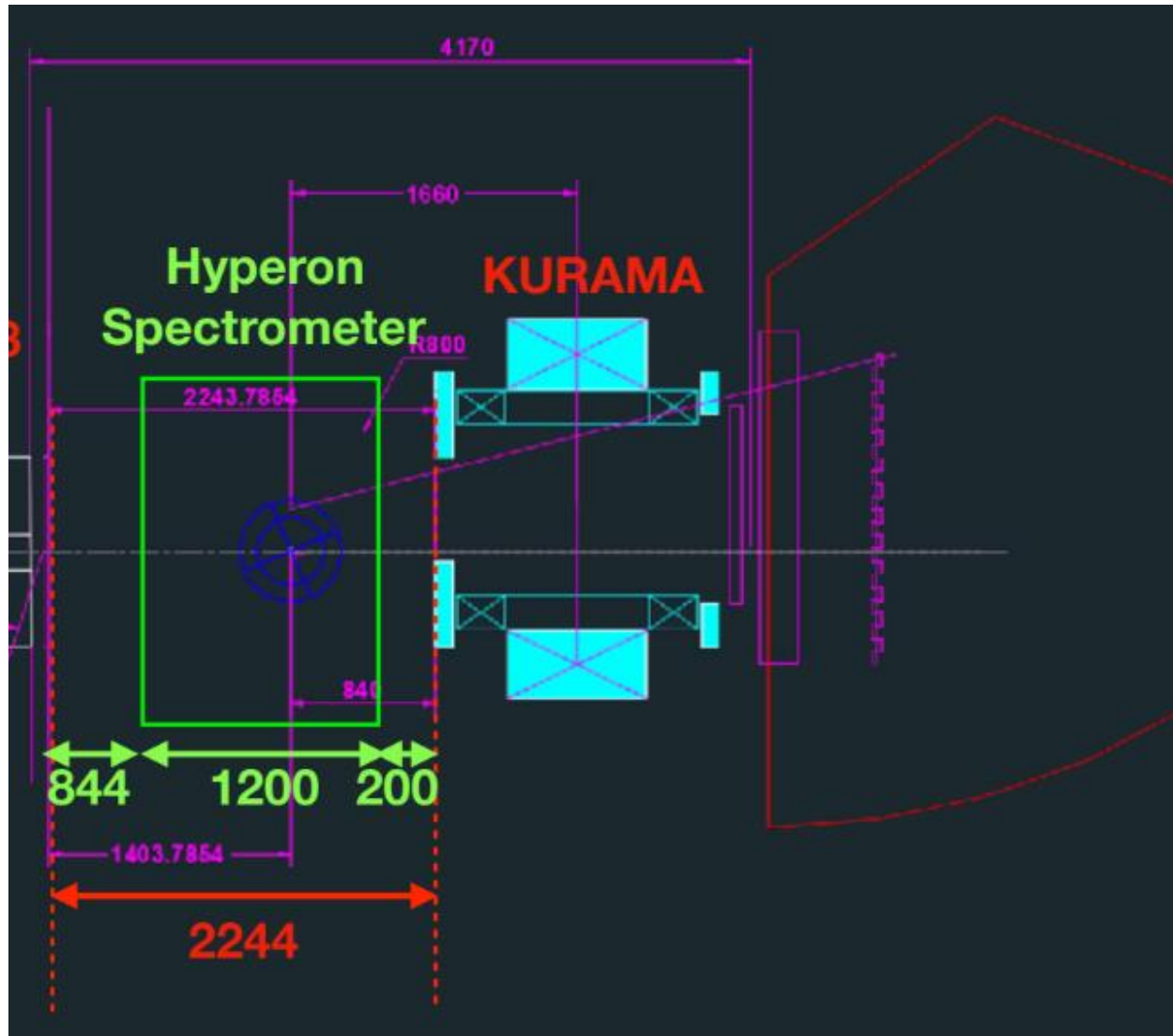


*황상훈 박사님

w/ E40 KURAMA



*E42 Setup(?)



*E07

