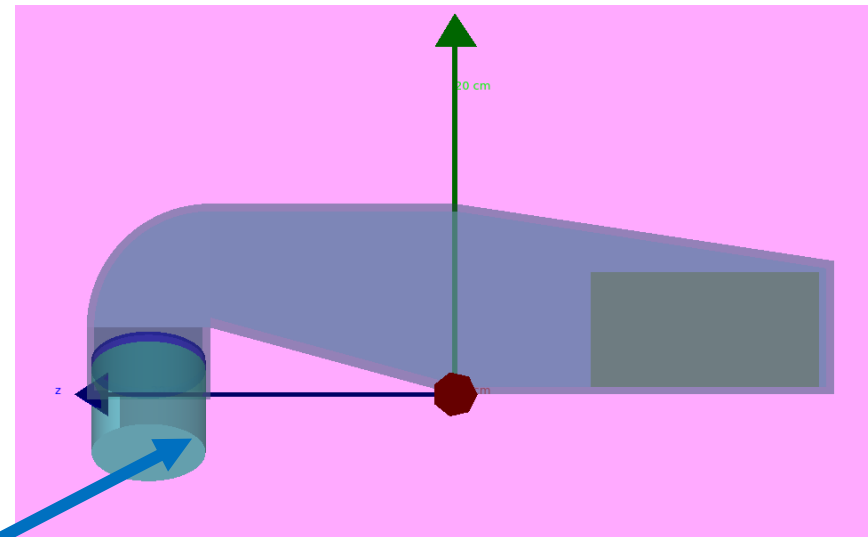
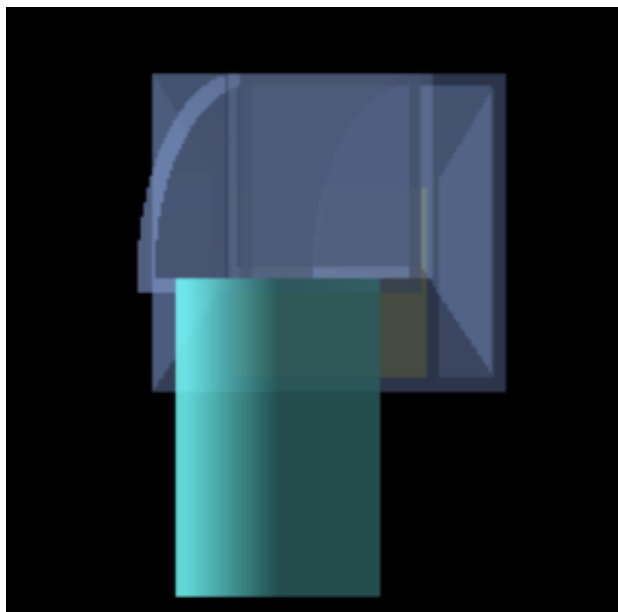
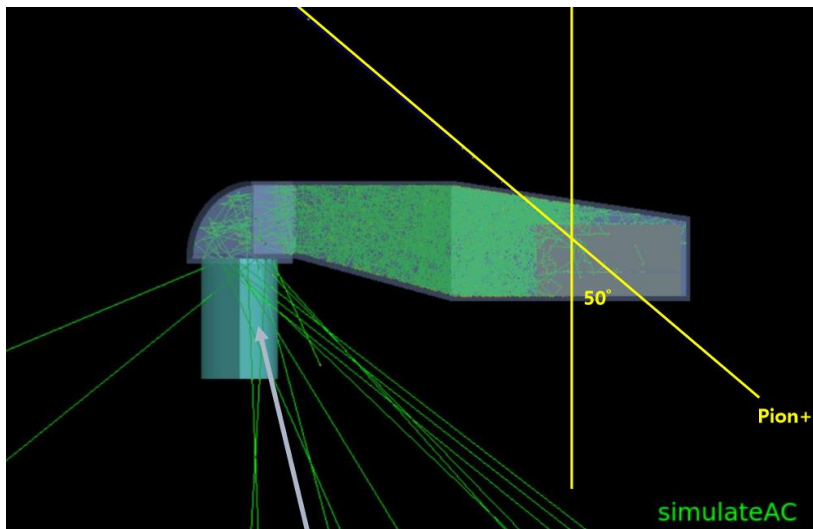


Progress of Geant4 Simulation

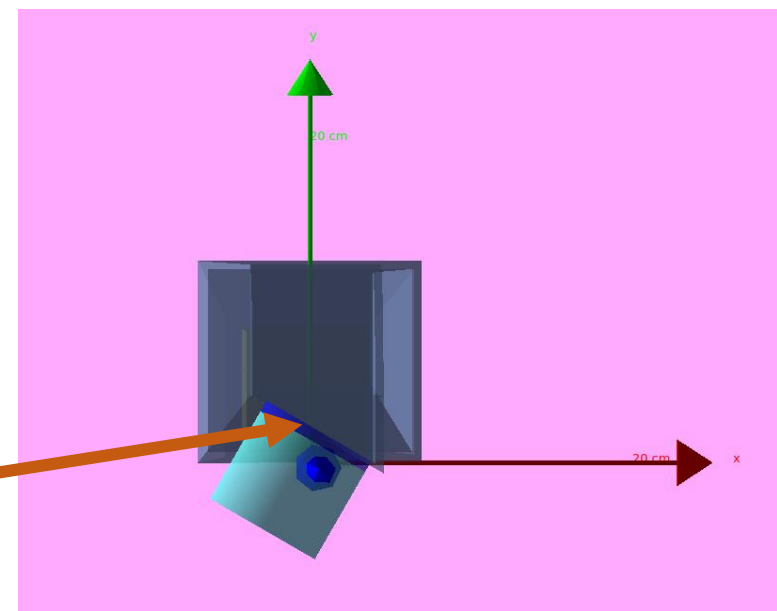
2018.06.12

양현민

Change of Geometry



Fine Mesh PMT



UV transparent-silicon-cookie
(3 mm)

PMT as Sensitive detector

- FMPMT
 - Hamamatsu R5543
 - 3 inch type
 - Active range
 - > 350 nm ~ 600 nm
 - Q.E. ~ 22 %
 - Cathode diameter
 - > 64 mm
- silicon cookies
 - Sylgard 527
 - Transmission above 350 nm
 - > ~ 95 %
 - cutoff frequency ~ 240 nm
 - Refractive index : 1.4074
 - (~97 % at normal incidence by fresnel equation)