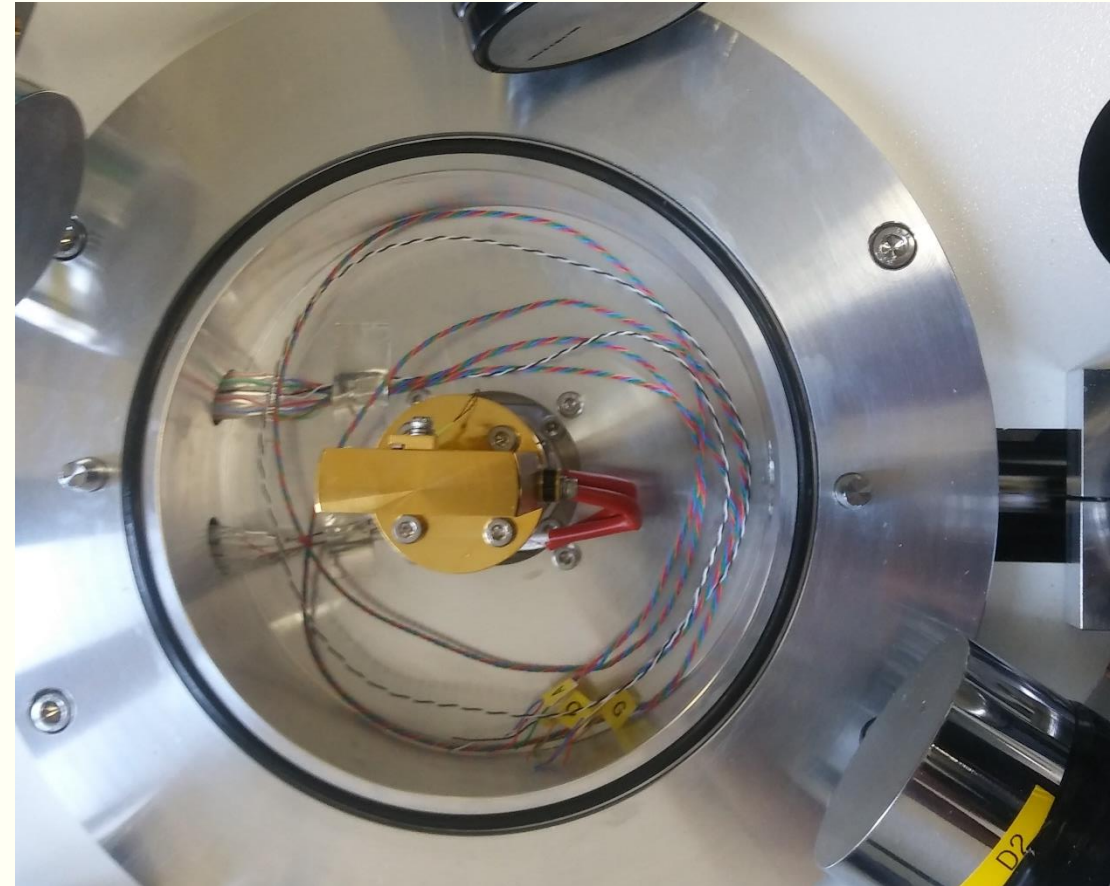


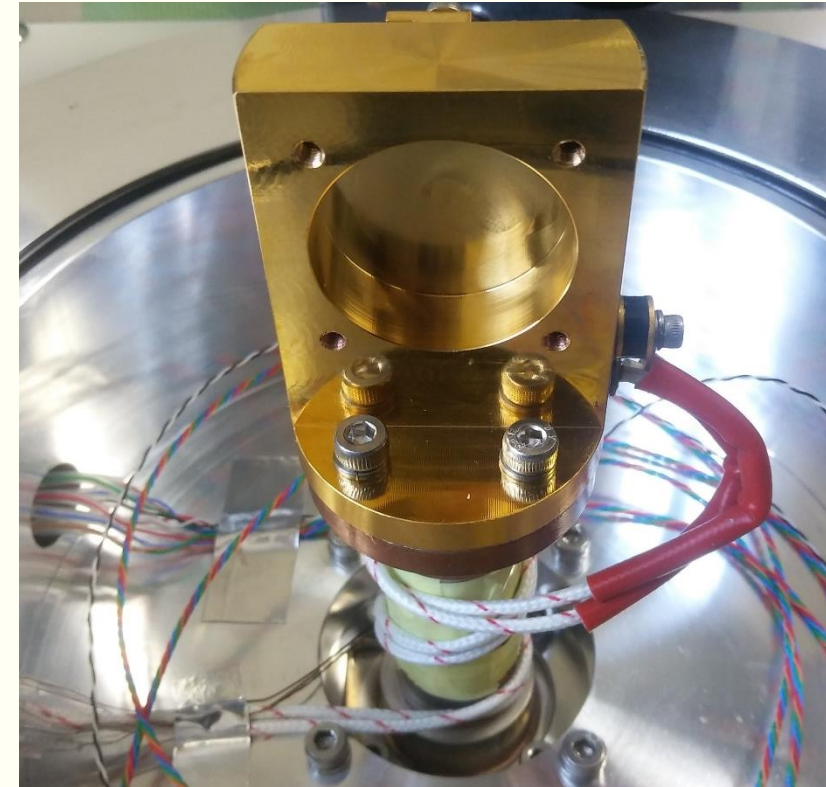
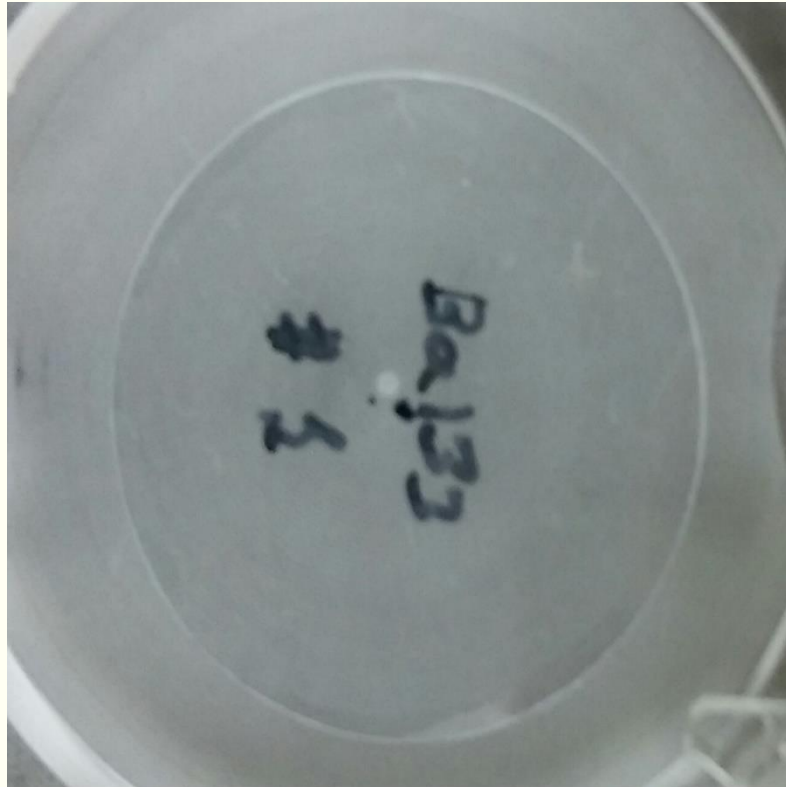
DESIGN OF THE SOURCE CONTAINER

I.J Lugendo,
Lab Meeting,
04/04/2017

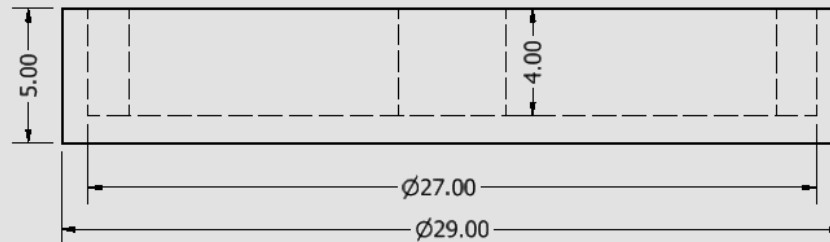
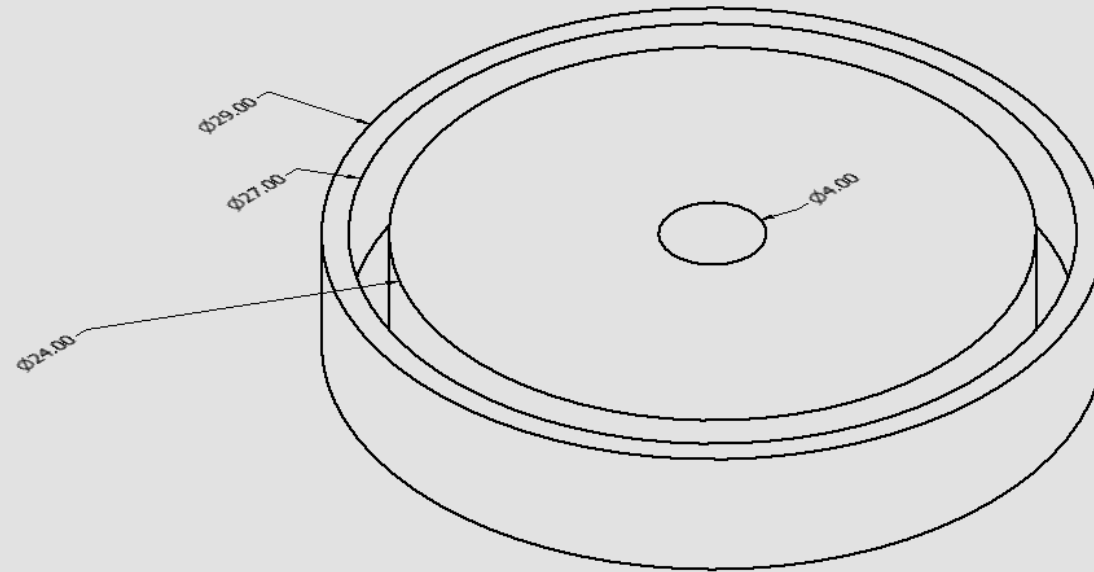


New Ba-133 Source

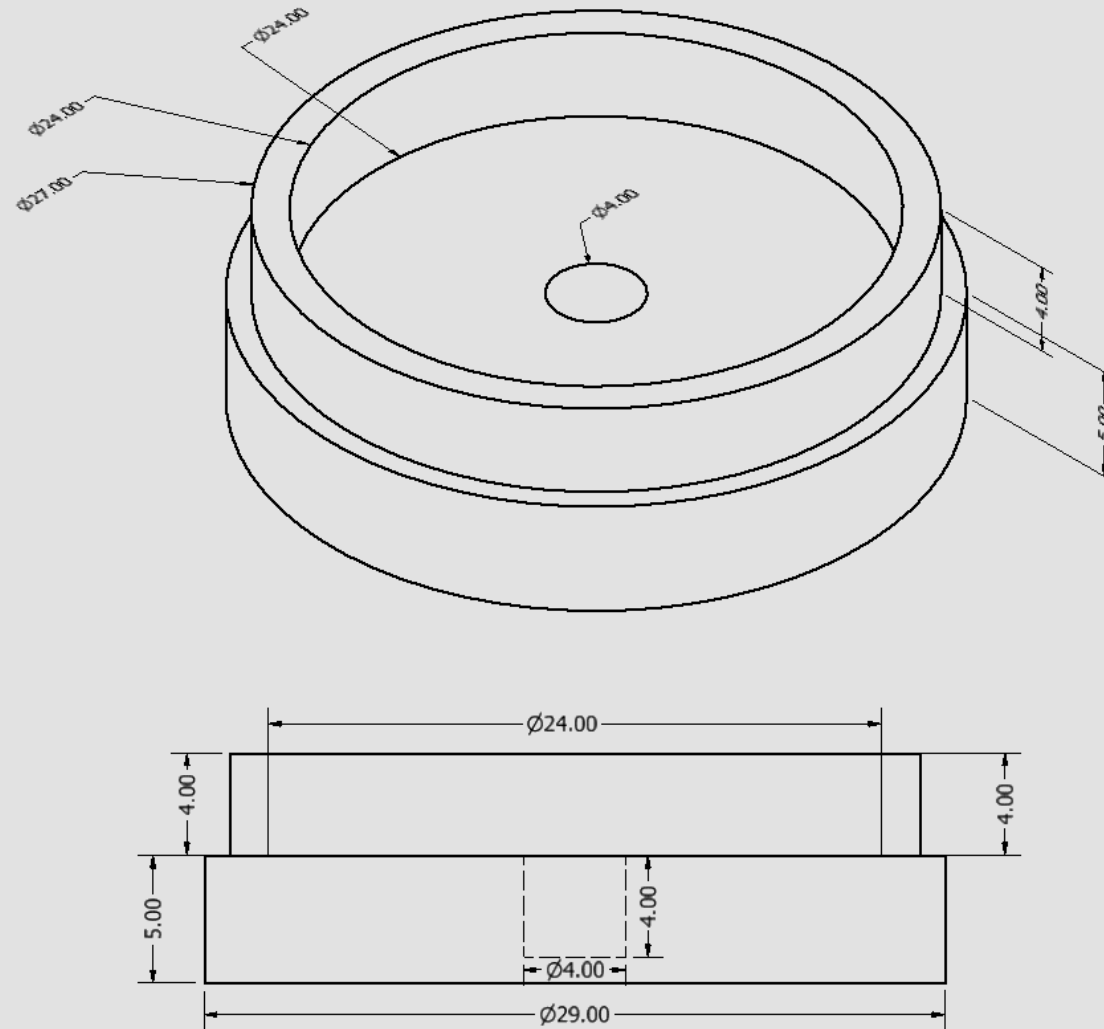
- Activity = $(189.0 \pm 1.8)\text{kBq} = (5.11 \pm 0.05)\text{ microCuries}$
- Measured on 2017/04/01



Bottom Side of the Source Container



Top Side of the Source Container



3D View of The Container

