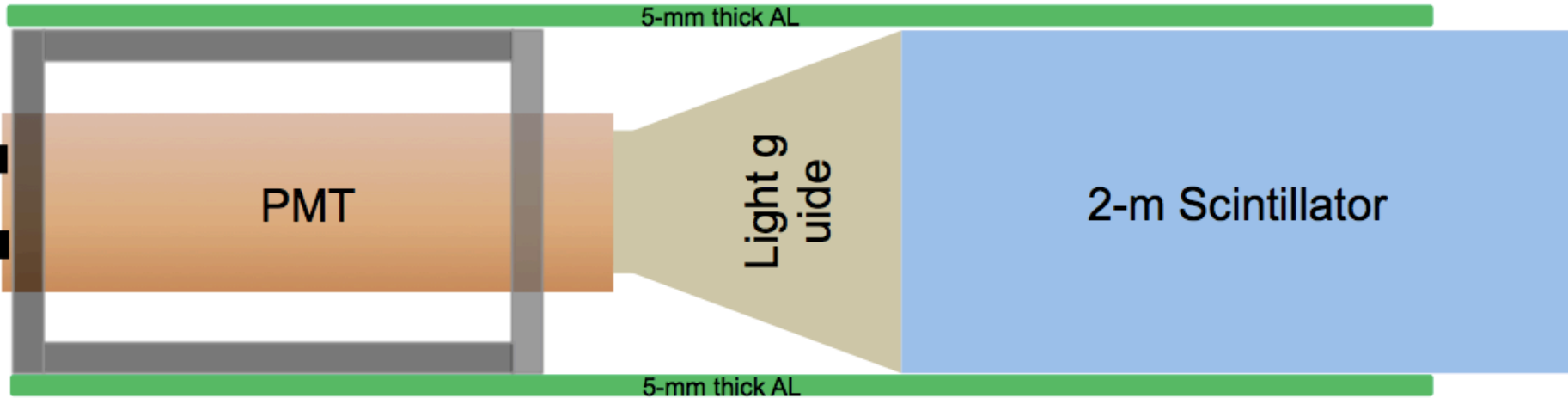


With or without Al. Plate around Neutron Detector?

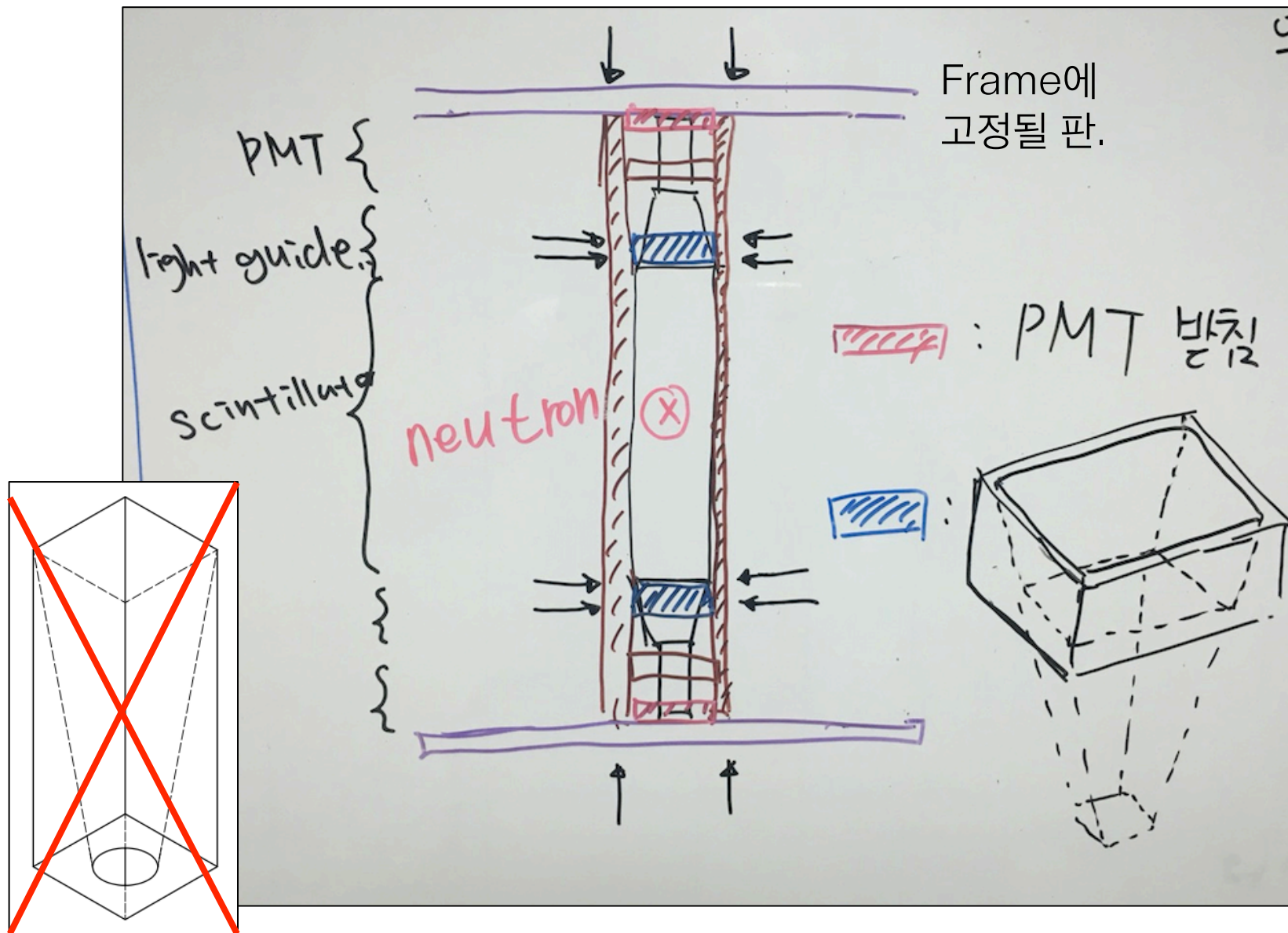
- Whether we use the current structure or the structure I designed with some modifications.
- We don't have enough time → Both of two suggestions should be considered.
- If one is chose, detailed structure in this weekend → feedback on Mon. → order until Thu.
- Only 4 vertical stack is ok for scintillator → Let's just stack up 4 detectors for horizontal direction with some fix structures.

1. Use the Current Structure

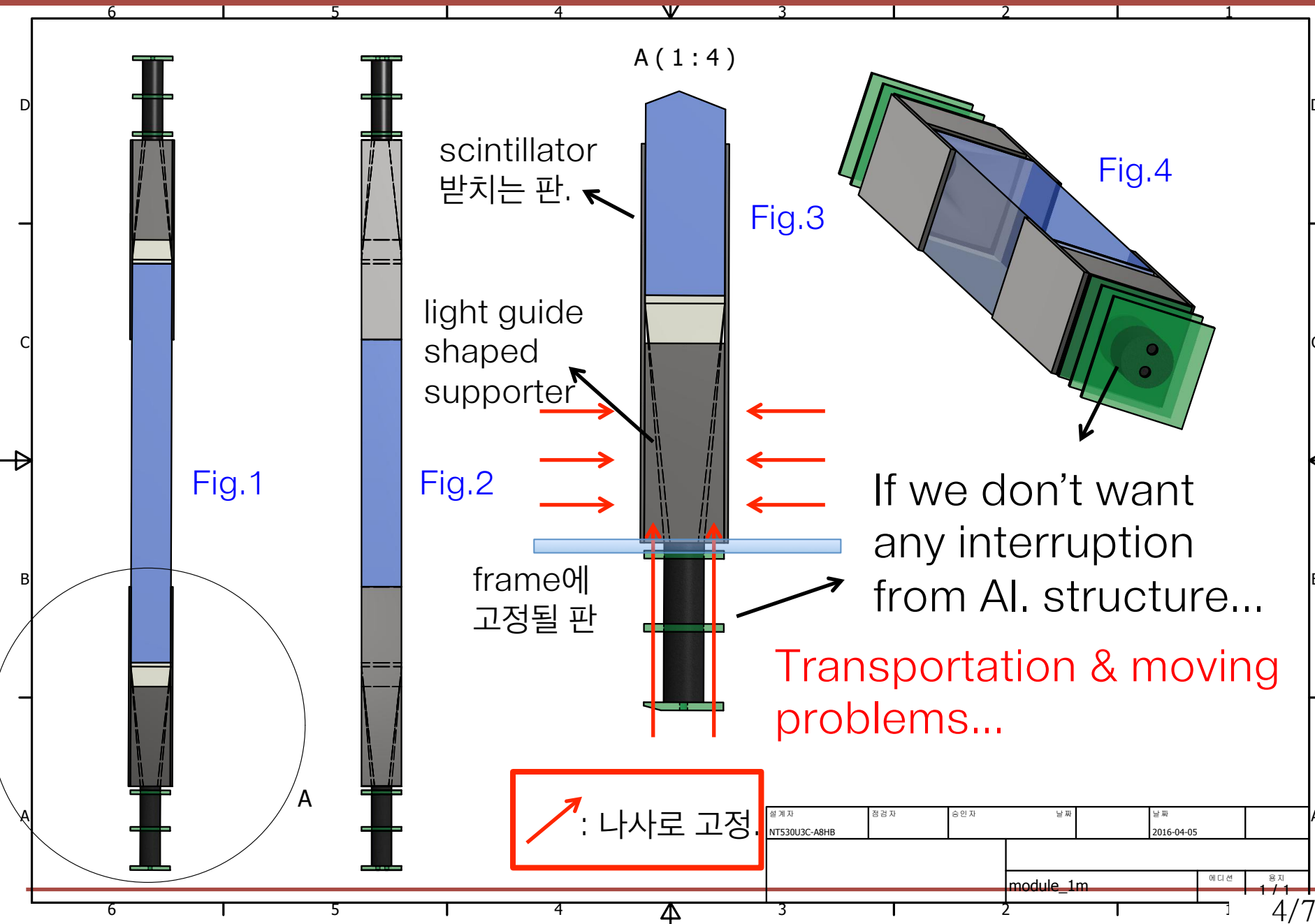


- We can use it as it is for horizontal direction.
- We can save the time, save the money as well.
- However, there is some dead areas. Neutron should pass through some structures before detector. We should consider vertical case.

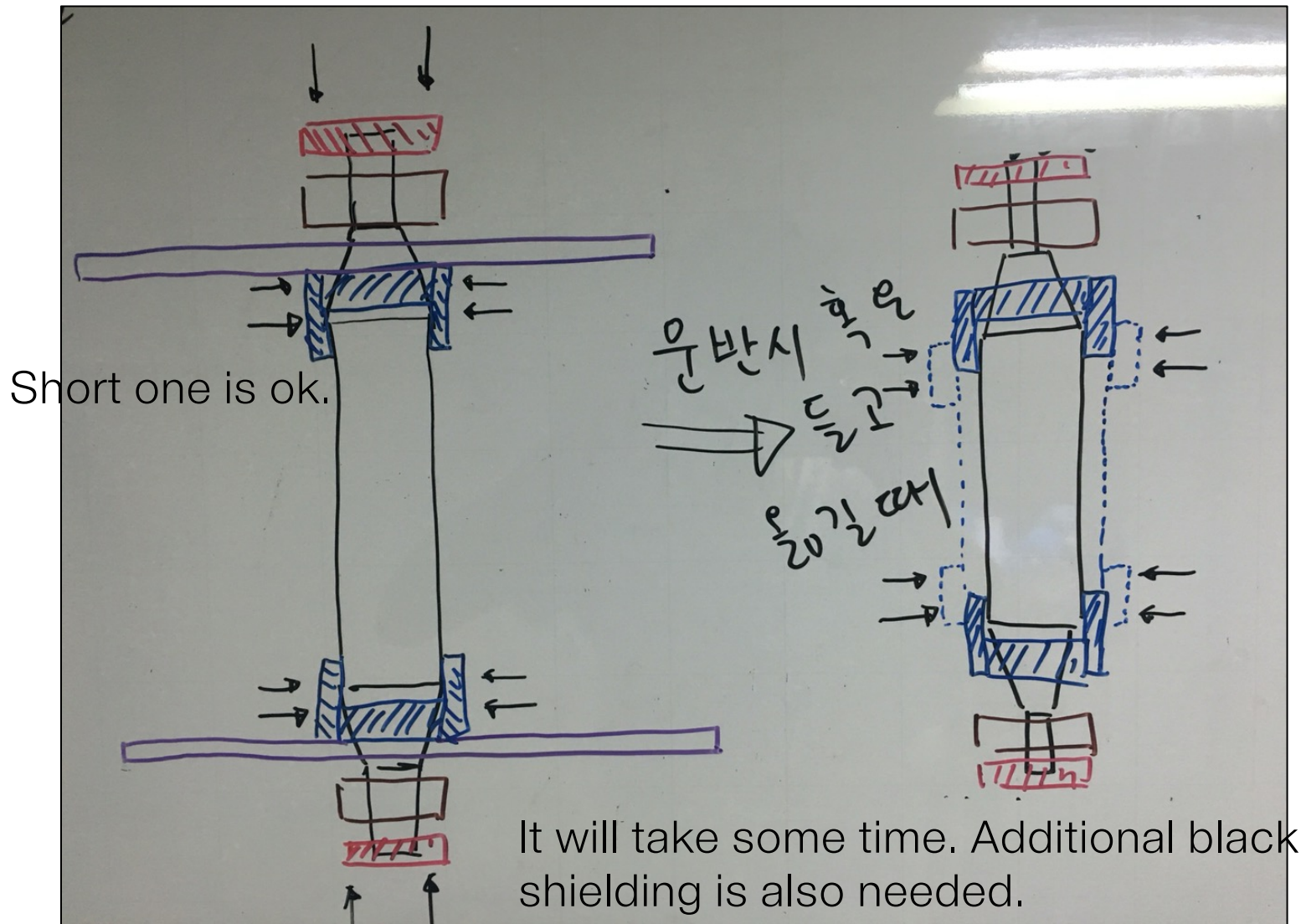
1. Current Structure: Vertical Install



2. Uncover the AI. Structure around Detector



2. Uncover the AI. Structure around Detector



NEBULA Example



Conclusion

- Use the current AI. structure for Hori.
Uncover the AI. for Vert.?