

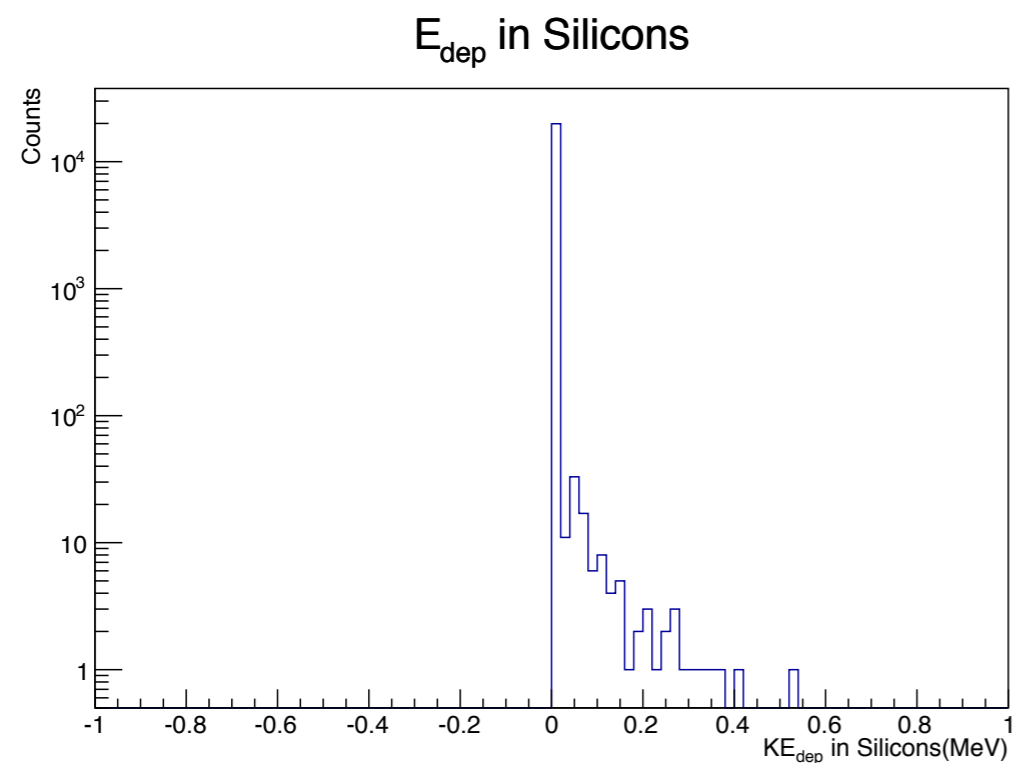
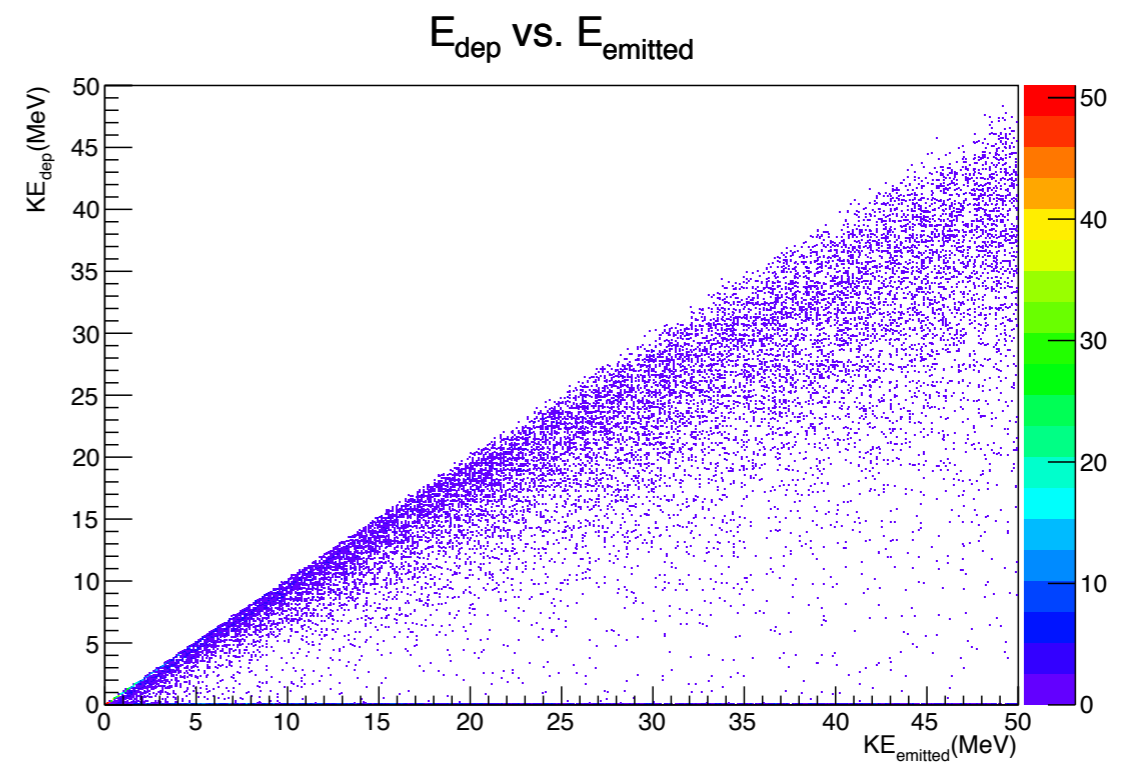
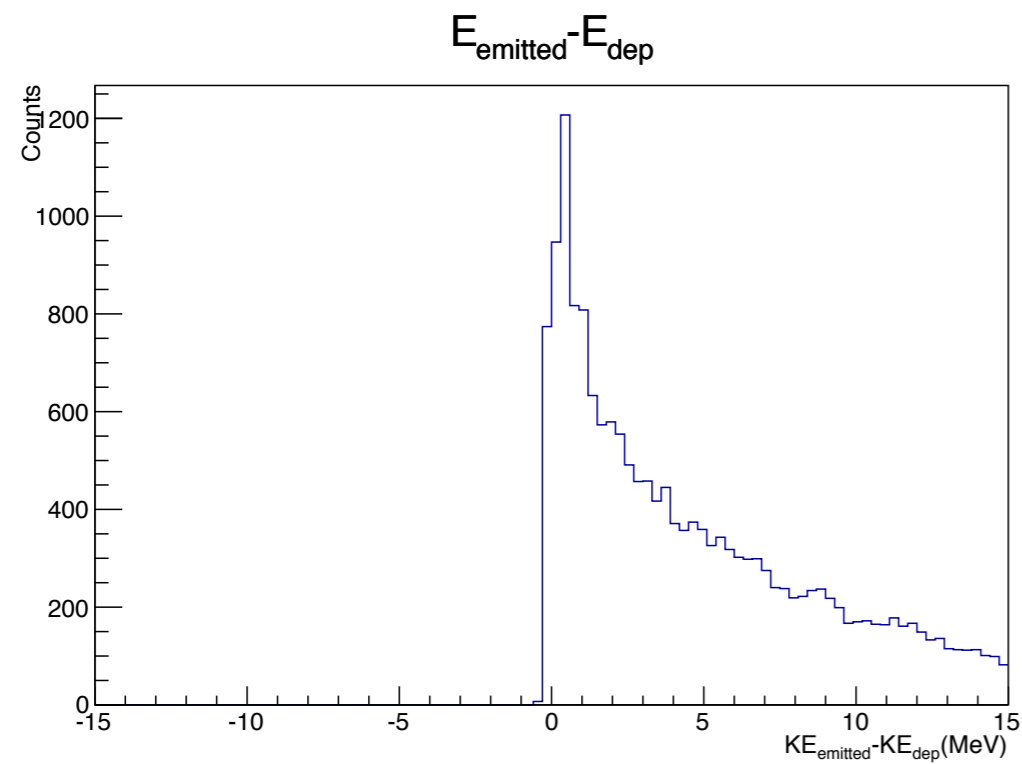
# Lab Meeting

---

Dec. 28, 2012

Suhyun Lee

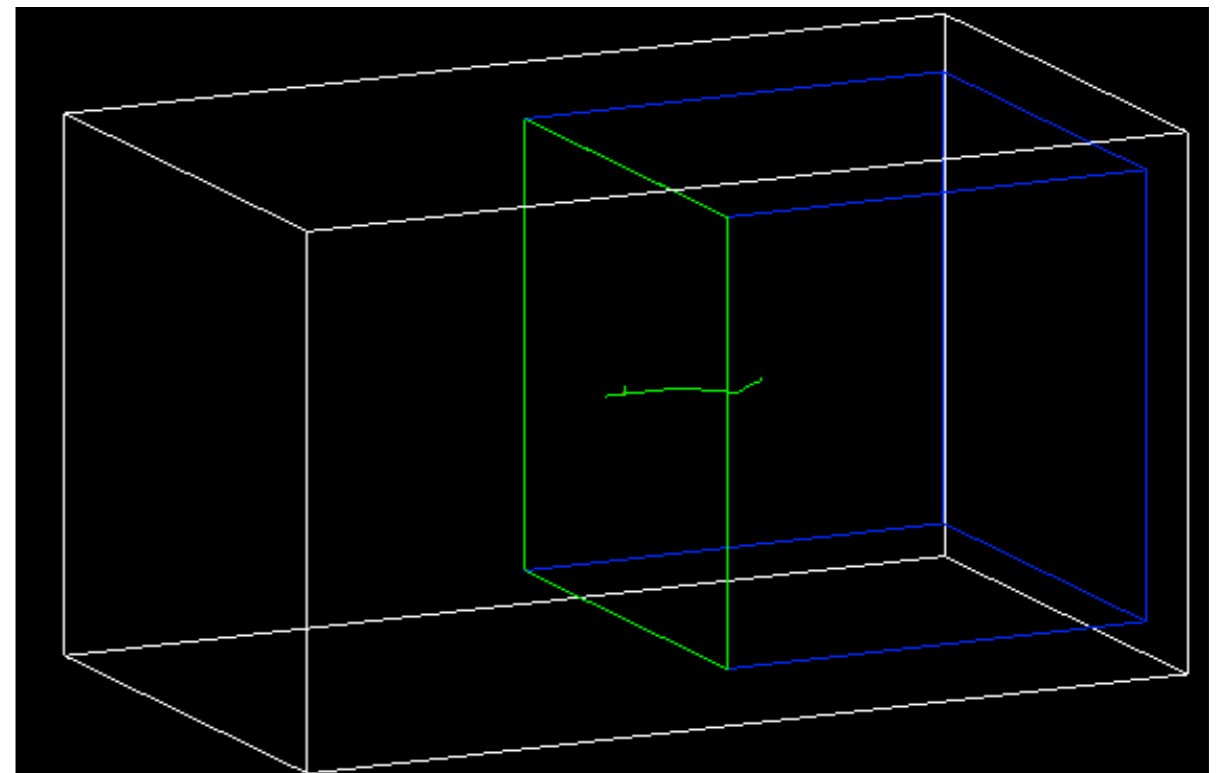
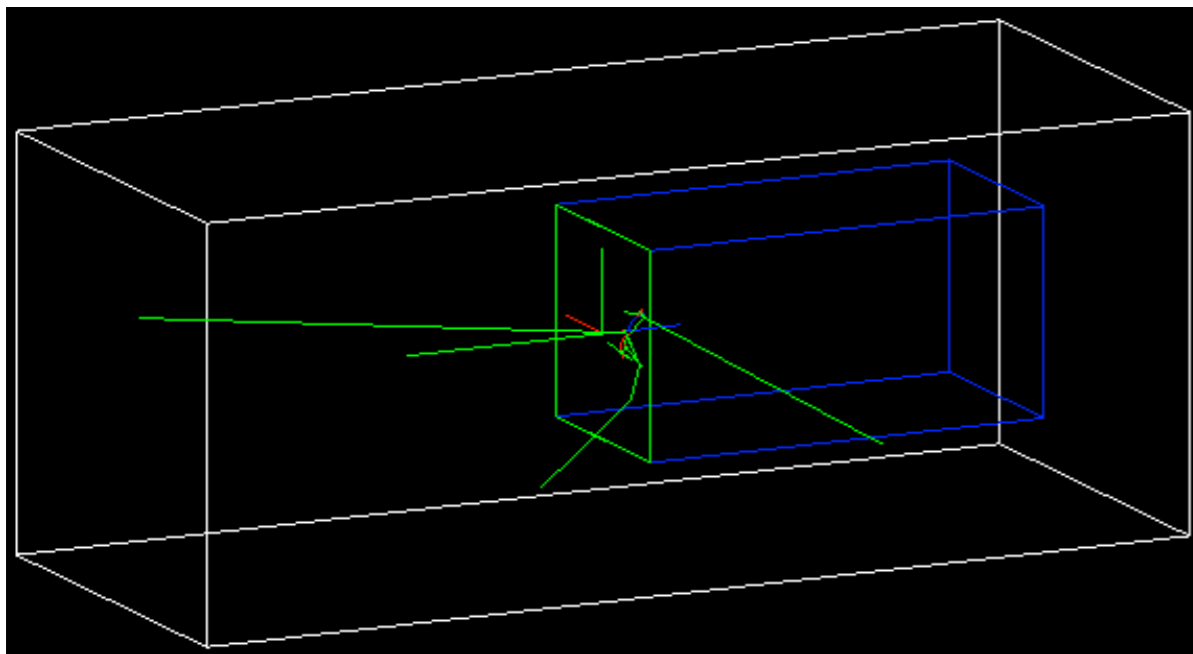
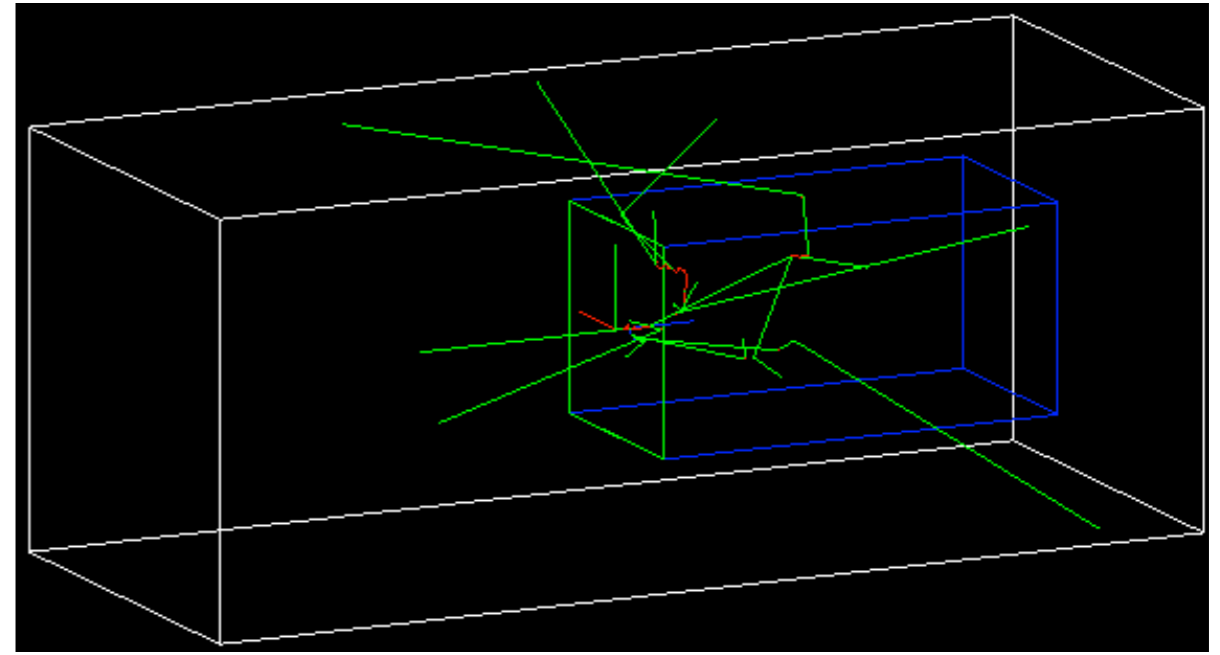
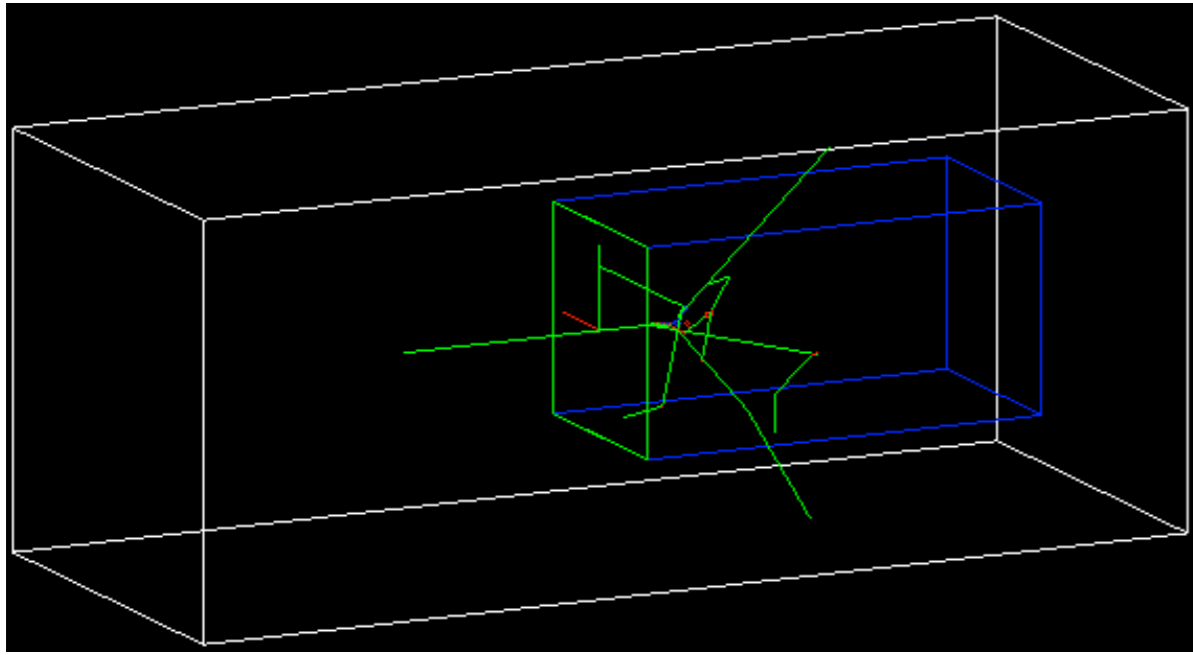
# Si-CsI for gamma detection



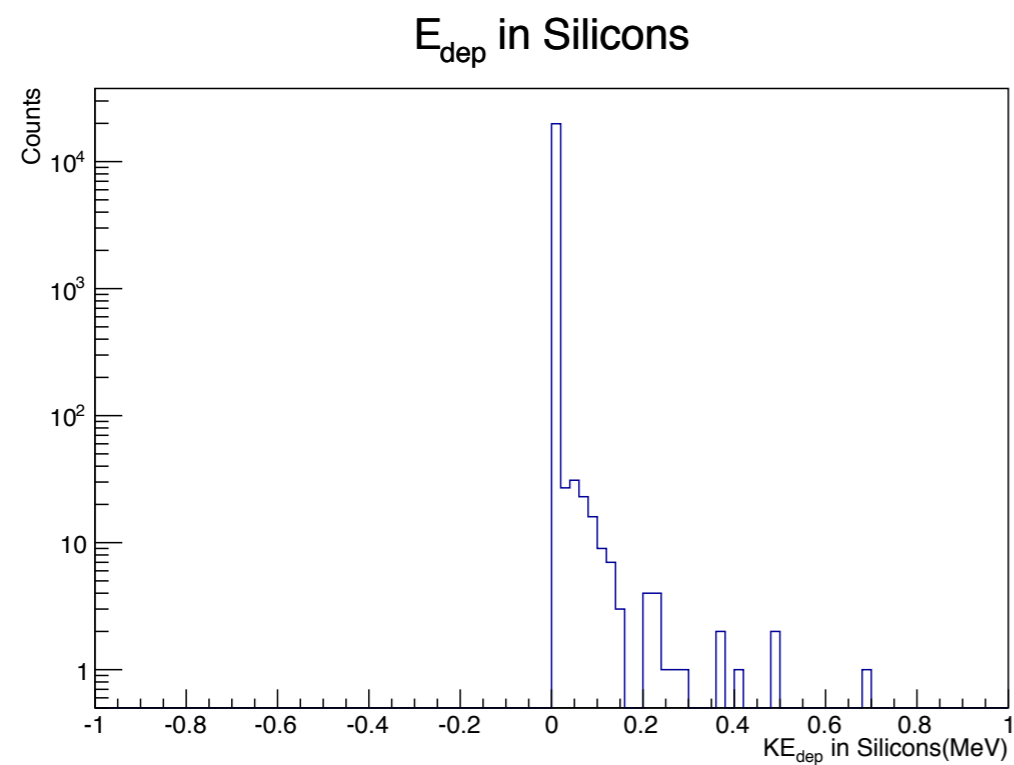
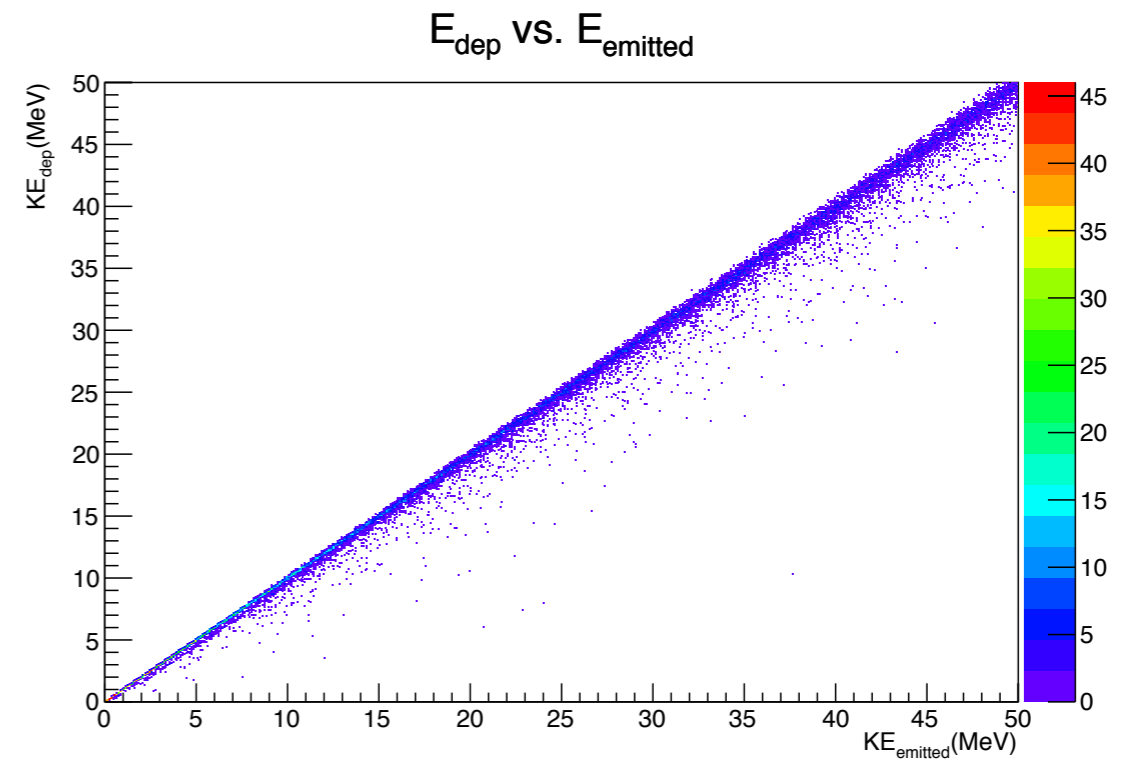
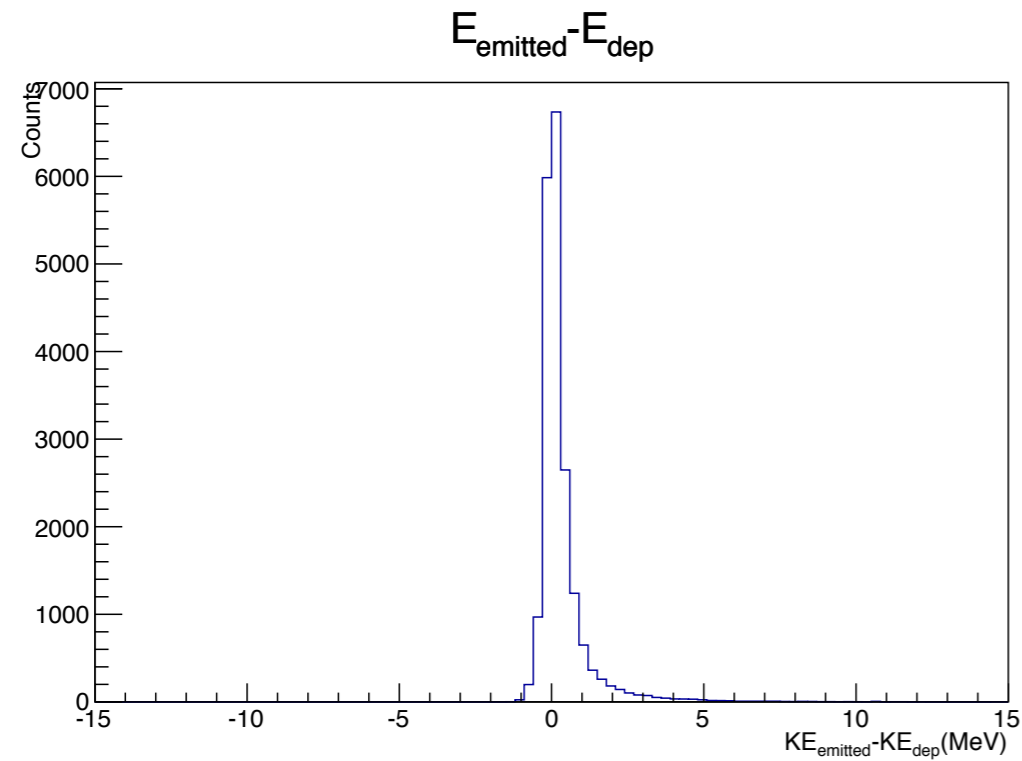
- Vacuum
- 90  $\mu\text{m}$  + 10 cm (5 cm x 5 cm)

# Si-CsI for gamma detection

---



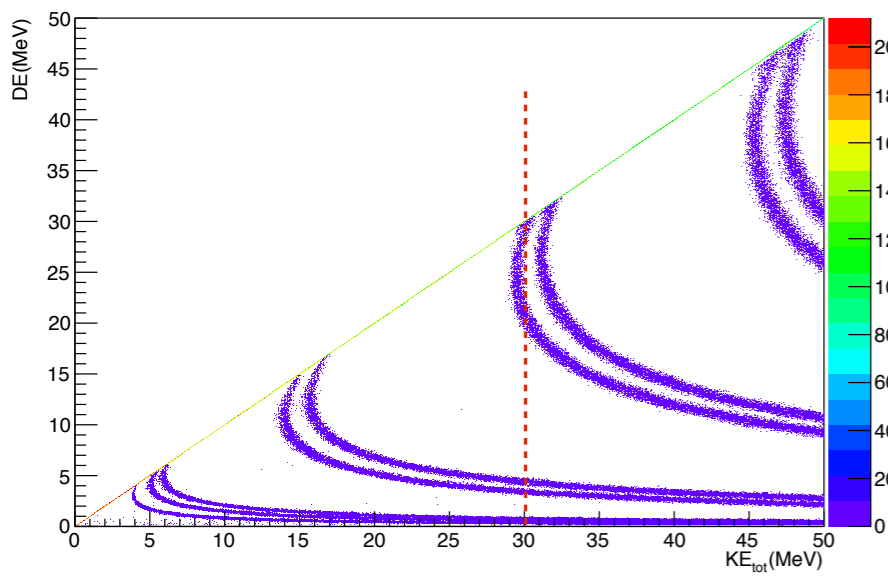
# bulky design



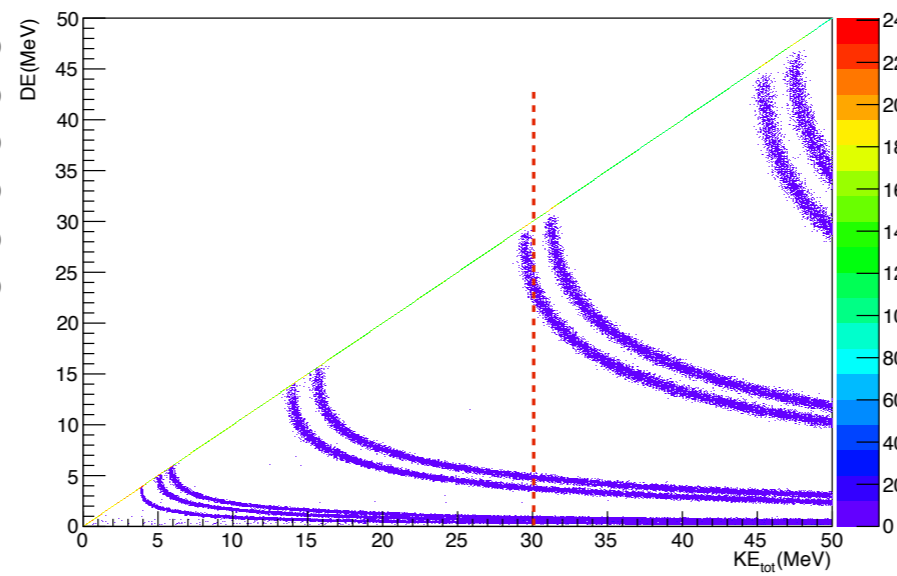
- Vacuum
- 90  $\mu\text{m}$  + 1 m (1 m x 1 m)

# Isotopes

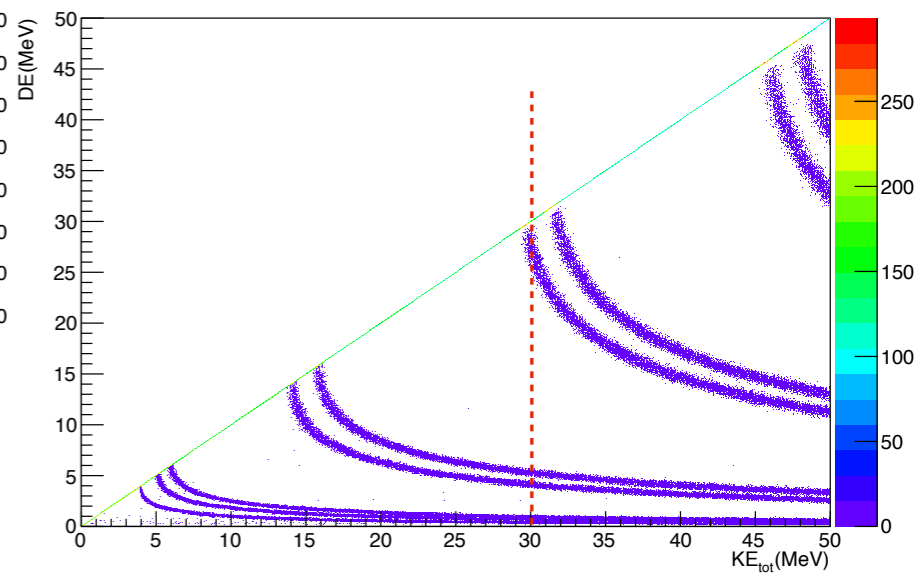
---



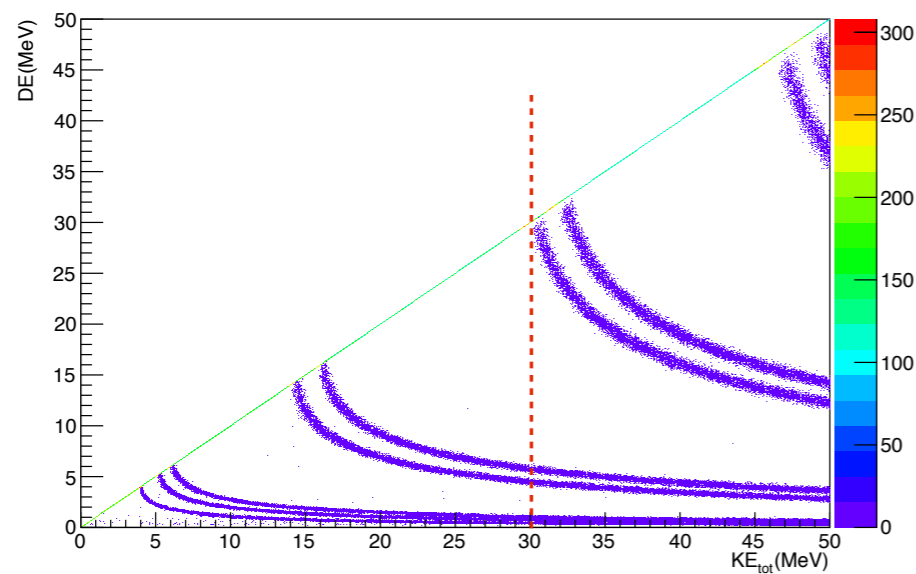
50  $\mu\text{m}$



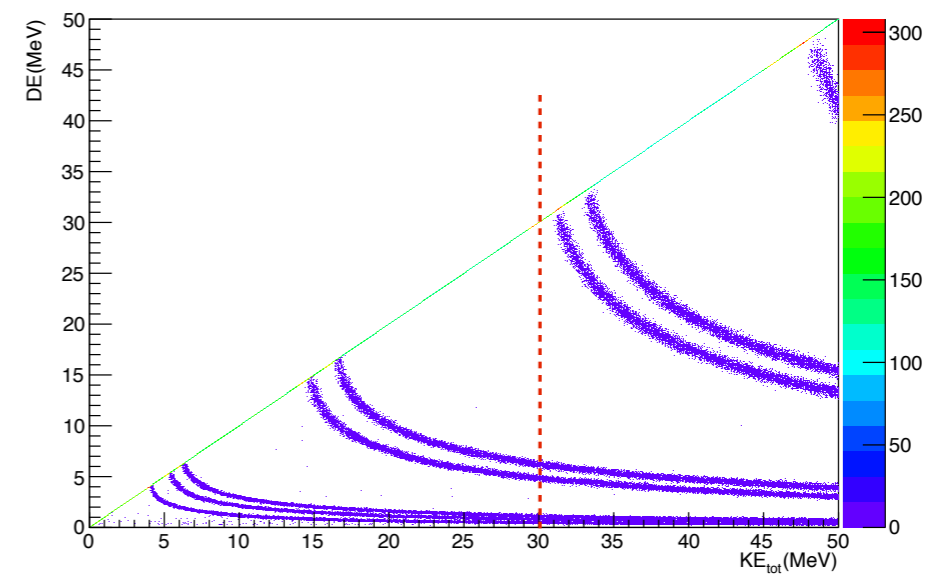
60  $\mu\text{m}$



70  $\mu\text{m}$



80  $\mu\text{m}$



90  $\mu\text{m}$