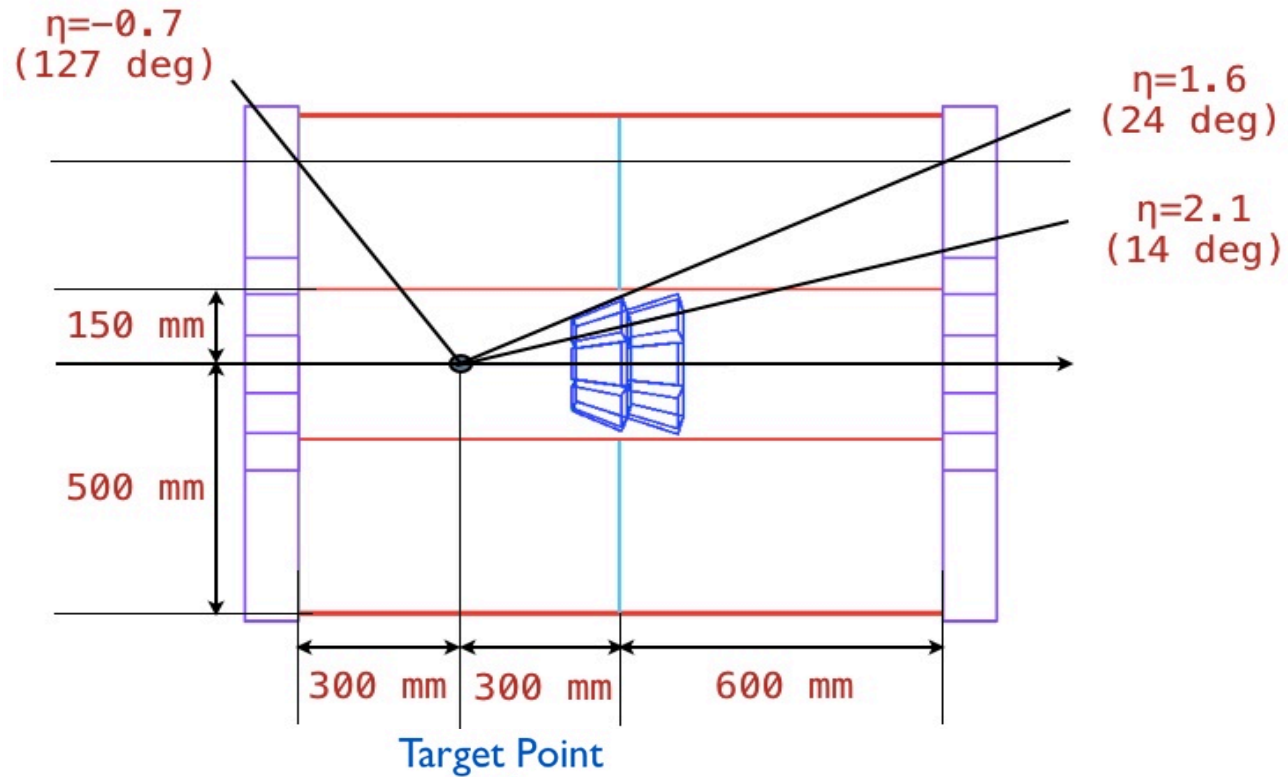
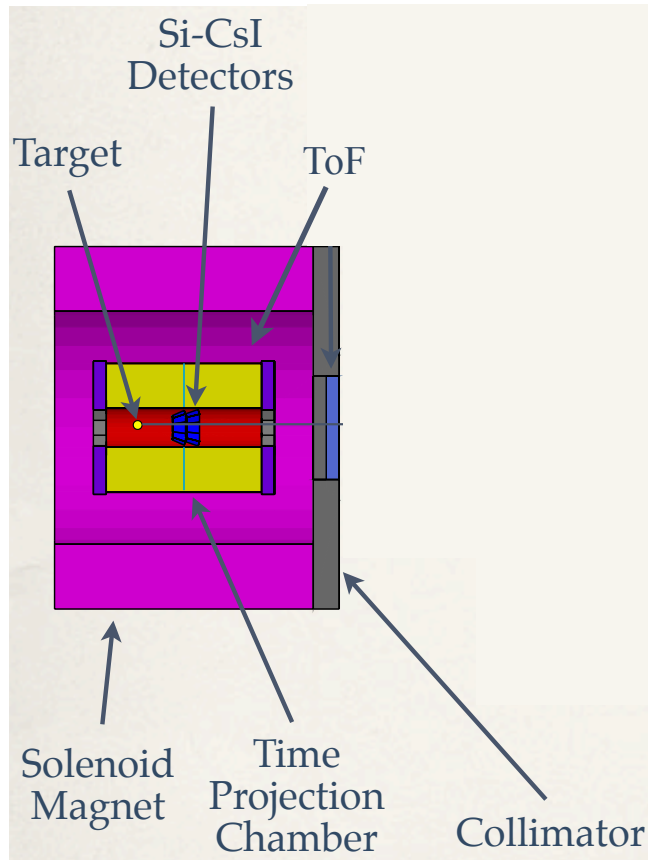
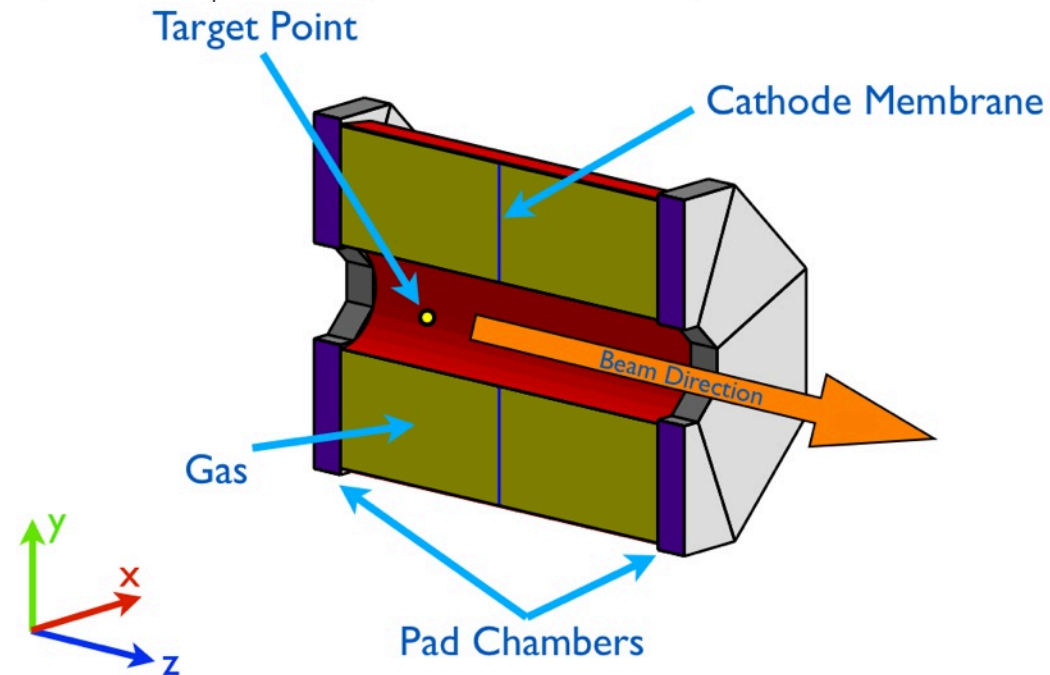


Young Jin Kim
RISP/IBS



•Time Projection Chamber (TPC)

- 1 x 1.2 m² cylindrical shape
- GEM based & pad readout in end-caps
(~100 k readout channels)
- Could be micromegas and GEM combination
- Large acceptance (~ 3π Sr)
- Geant4 simulation is ongoing
(readout pad, gas gain, # of GEMs,
thickness of GEM, etc.)



GET chip and related electronics

Your request joins those of RIKEN (SAMURAI-TPC), J-PARC, IBS-TPC (yours) NSCL(AT-TPC), GANIL(ACTAR), CNBG(ACTAR-TPC), IRFU (S3,MINOS, FIDIAS), INFN-LNS (CATANIA) and FAIR/GSI.

I give you a quick run-down of the status of the GET project.
I profit from this mail to give you some basic information to all addressed in this mail.

AGET CHIP

Yes your request has been taken into account for 2500 channels+10% = 51chips spares for the AGET chip
For the 20,000 channels of AGET chips = 375 chips . that might be ordered after I have not accounted for
- if you tell us. Ask Delagnes Eric
soon enough your request can be taken into account without having to redo a submission (more expensive).
Soon enough is - Feb 2013.

Your request for the 2500+spares AGET will arrive in August 2013.
IRFU will transfer the necessary firmware and software to operate AGET, AsAd, CoBo ...
Ask : ANVAR Shebli
IRFU will issue a price (soft+chip) and conditions. Please address IRFU in 2-3 weeks.

AsAd

The final version AsAd V2.0 will be produced for the end of Dec 2012.
Production should follow within a month or so. The object is to have AsAd V2.0 arriving before the arrival of the AGET chip for the first of the two submission.
The first submission will arrive Feb-March 2013. Second Aug 2013.
You can order as many of these cards as you want and limited to the number of AGET chips
Available for you.

CNBG (Bordeaux) will issue a price and conditions. Please address CNBG in 2-4 weeks.

CoBo

Timing for this card is production ready for Dec 2012.
The firmware will be ready in April-May.
The Pro-type R-CoBo has transfer rates above 0,60 Gbyte/sec.
You can order as many of these cards as you want.
NSCL will transfer the necessary firmware and software for CoBo.
Ask:- Daniel Bazin

NSCL will issue a price and conditions. Please address CNBG in 1-2 weeks.

MuTANT

There are two cards that make MuTANT.
MuTANT-A: this carries the distribution of the clock on the micro-TCA in particular.
MuTANT-A will go to MSU/NSCL before the end of the year. So it is going.
MuTANT-B which carries the full trigger - is in the making and will be available for test at the before the end of the year 2013. This is a conservative estimate.

GANIL can supply a full DAQ and the firmware to run the MUTANT.
Ask:- Bruno Raine

GANIL will issue a price and conditions. Please address GANIL in 1-2 weeks.

Pro-Type GET

GET-Proto is functioning and tests are being conducted on detectors at NSCL, GANIL and IRFU.
See file attached for an example. At IRFU we are testing the system for saturation effects with a fission source.
MSU have a prototype detector running for AT-TPC and have tested multiplicities etc.

Meeting GM-GET

Please reserve the last week of Jan 2013 and first week of Feb 2013.

I will notify you as soon as I have fixed the dates.

For the meeting it will be essential that you come and present your final Project.

Will be great if you and your colleagues can make it to the meeting.
It will be in France - not too far from Paris.

Information.

ave asked for a pass-word for e-doc to have

Information of GET. If not ask Frédéric DRUILLOLE

For the pass-word.

Item	Unit price		Price (KRW)	
AGET	300M / batch = 640 chips	5000 ch (80 chips)	? (100M?)	
Chip Test		40 chips = 2500 ch	40M	order registered; need to get PO
AsDs	3M	10 boards	30M	I contacted the corresponding person but I haven't got reply
CoBo	6M	3 boards	18M	..
Mutant	15M	1 card	15M	..
μ TCA crate	24M	1 crate	24M	..

I will contact them again as soon as possible

- Any other suggestion?

We need to organize and plan to attend GET Collaboration Meeting

- 2013/01/28 - 02/01, Asnelles-sur-Mer (near GANIL), France
- Who will be there?
- What will be discussed?