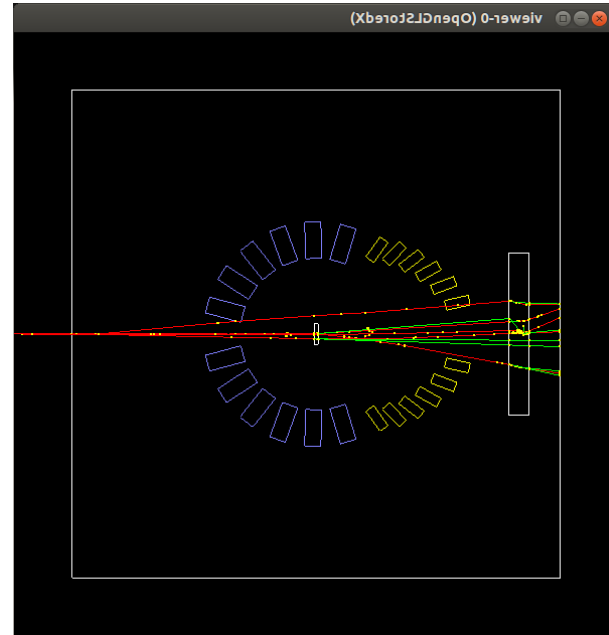
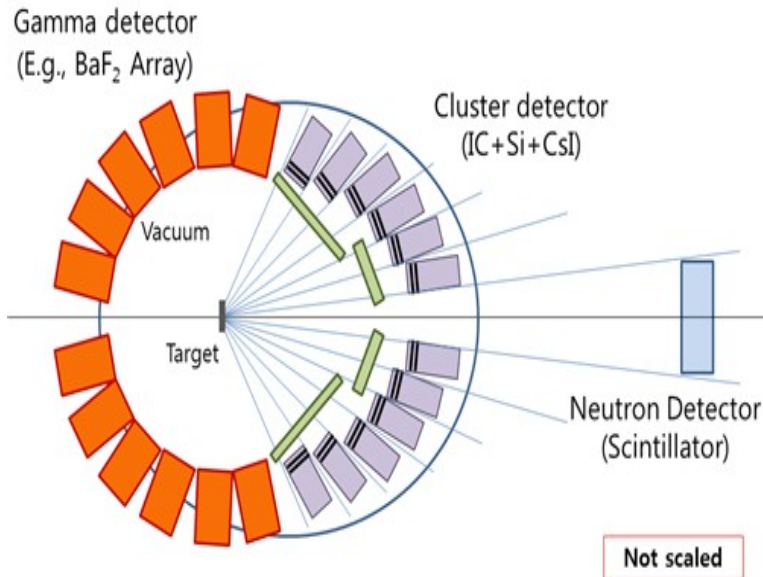


# LAMPS-L Geant4 Simulation

Chonbuk National University  
김현호

# Side View of LAMPS-L In Geant4 Simulation

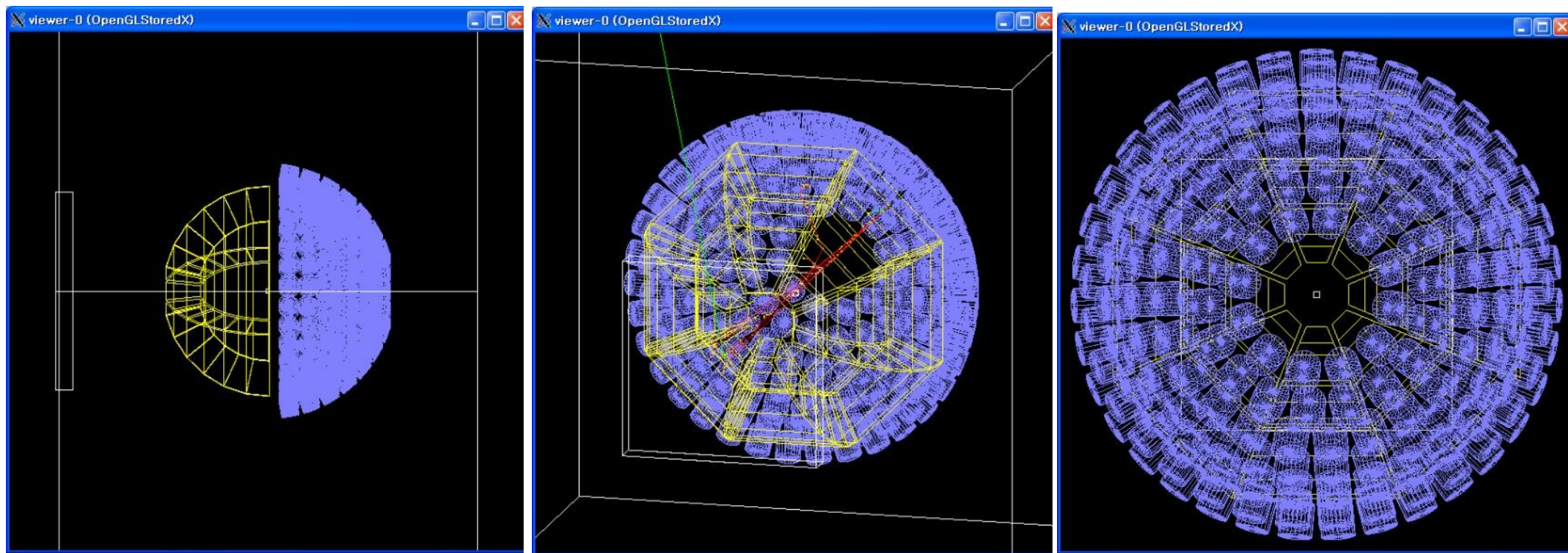


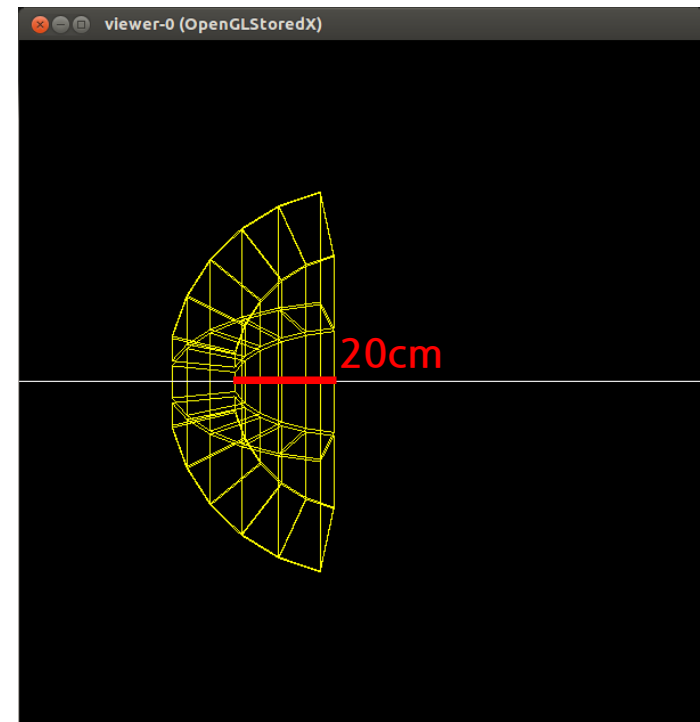
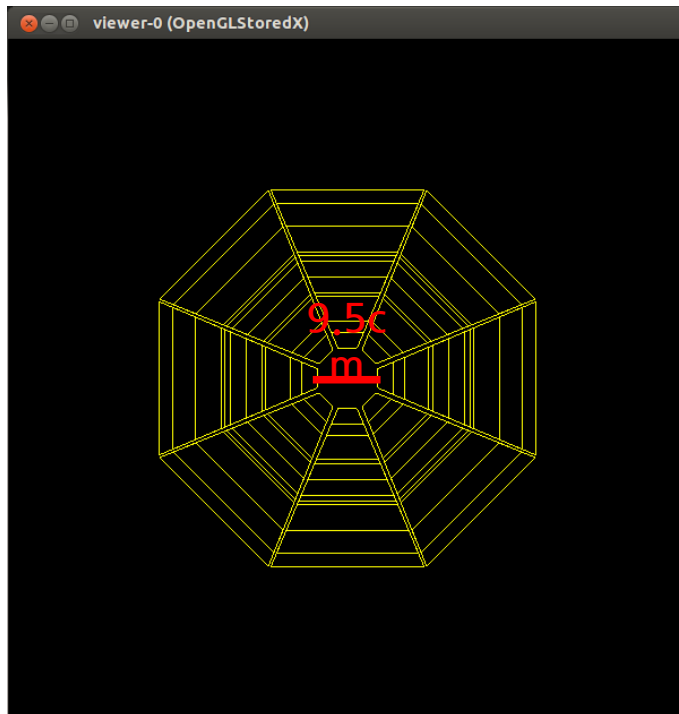
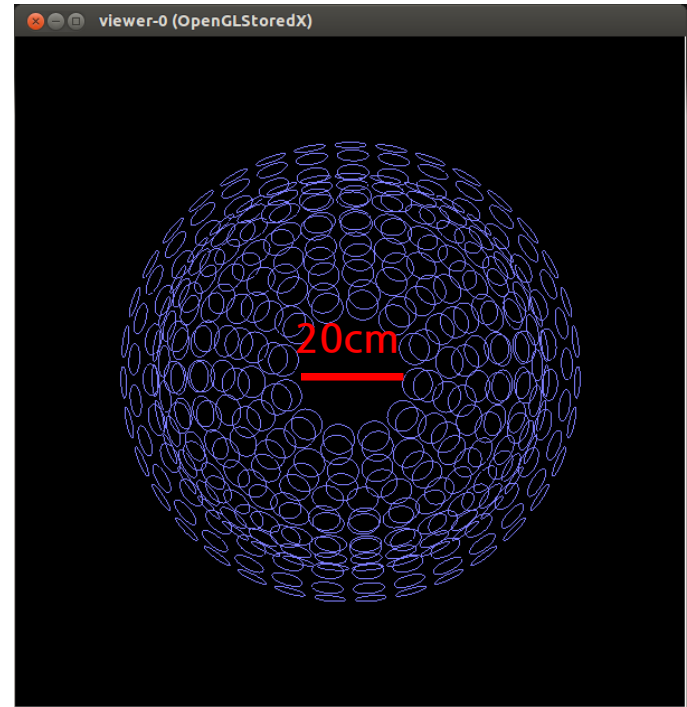
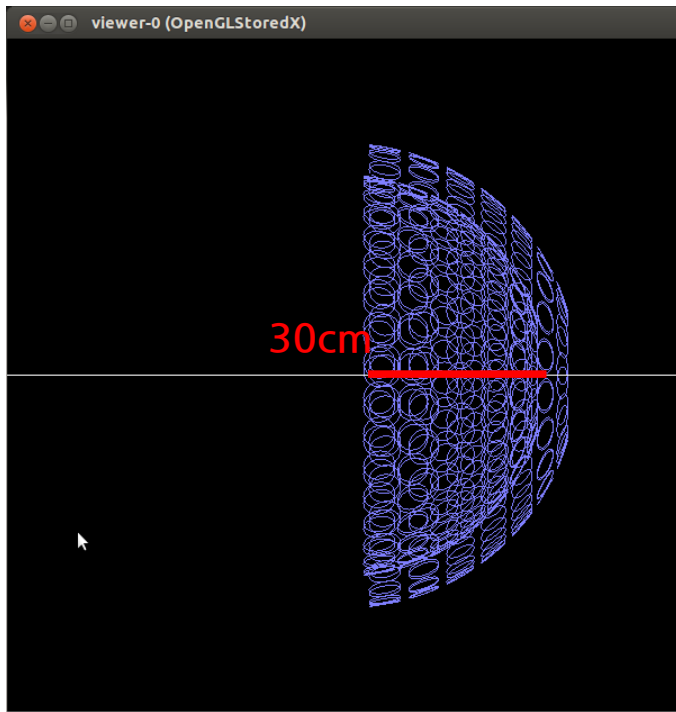
■ 1st version geometry : side view of LAMPS-L

※ Some changes

1. Gamma detector's shape is circular cylinder.
2. Cluster detector's shape is trapezoid
3. There is some gap for frame.

# 3D view of LAMPS-L In Geant4 Simulation





# Maybe Next...

- Change the source to get the Rootfile.
- And change the source clearly.
- Get the beam source, and draw some plot.