

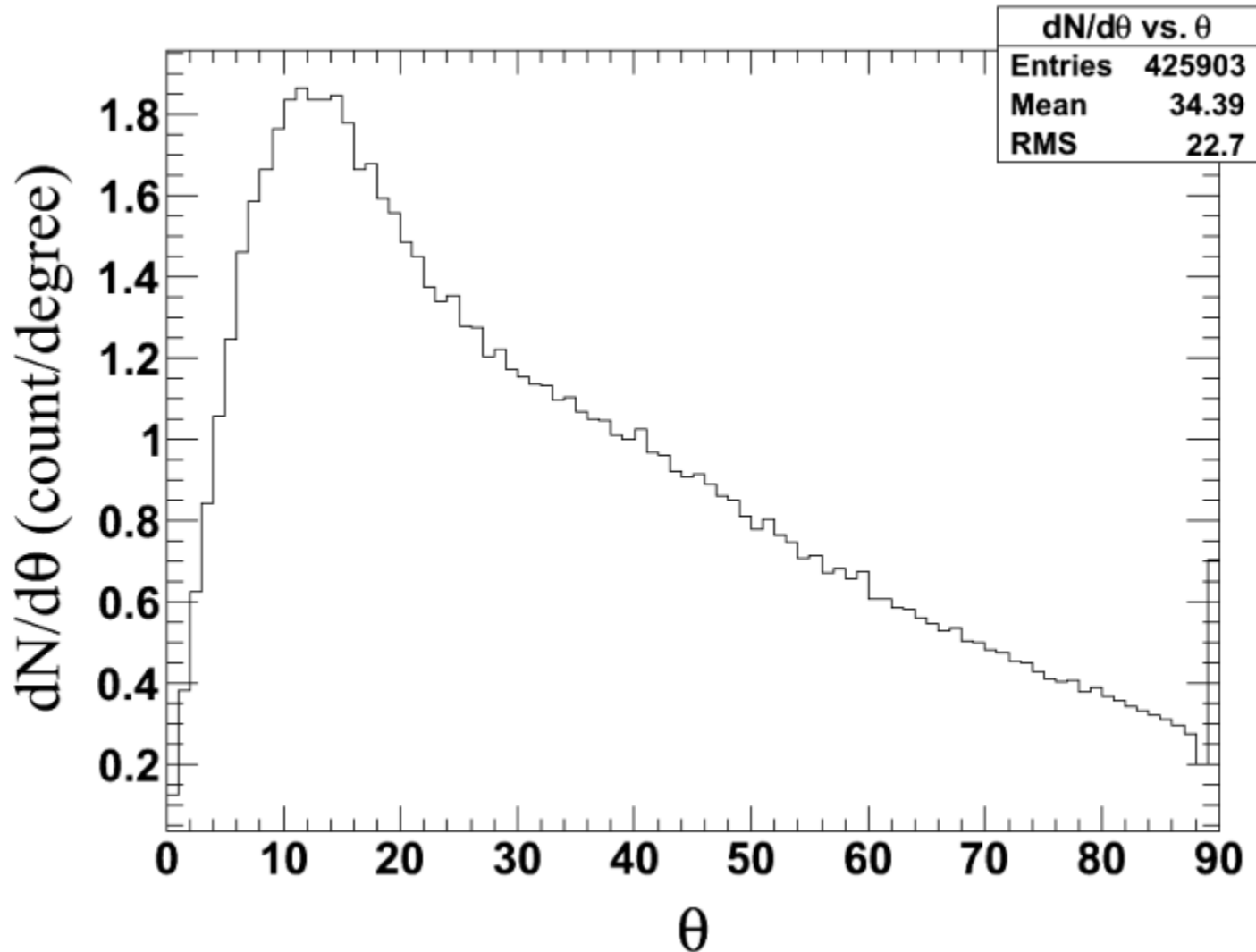
# 2012\_11\_26\_LAMPS\_Meeting

## LAMPS-L design

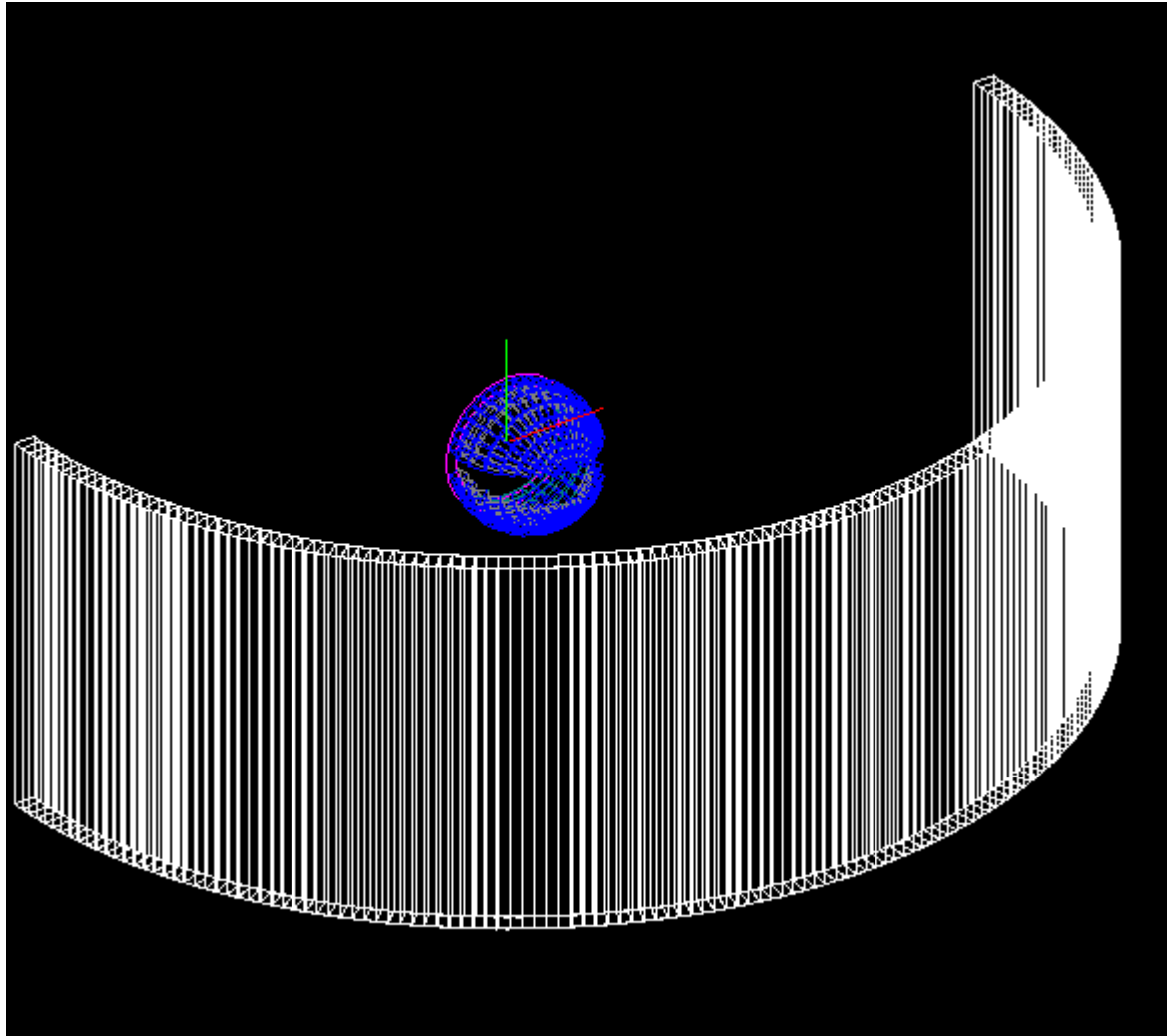
고려대학교

주은아

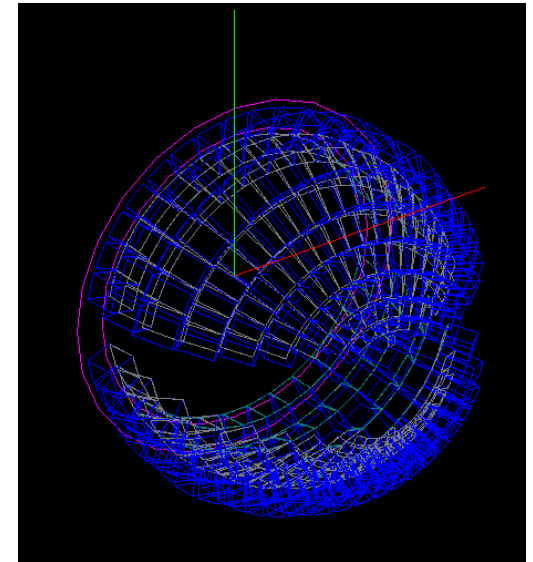
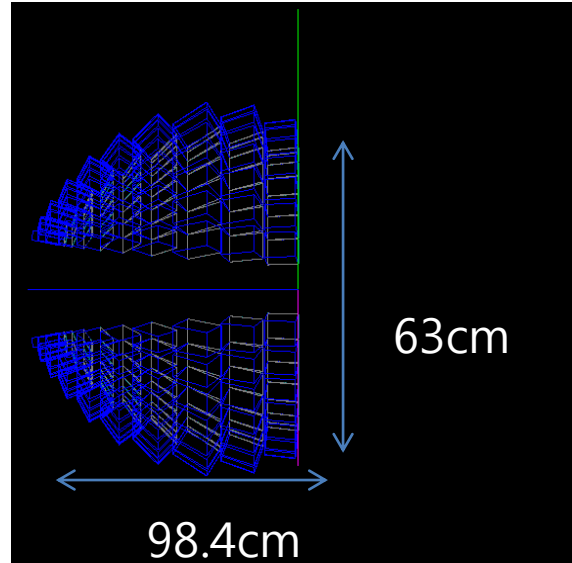
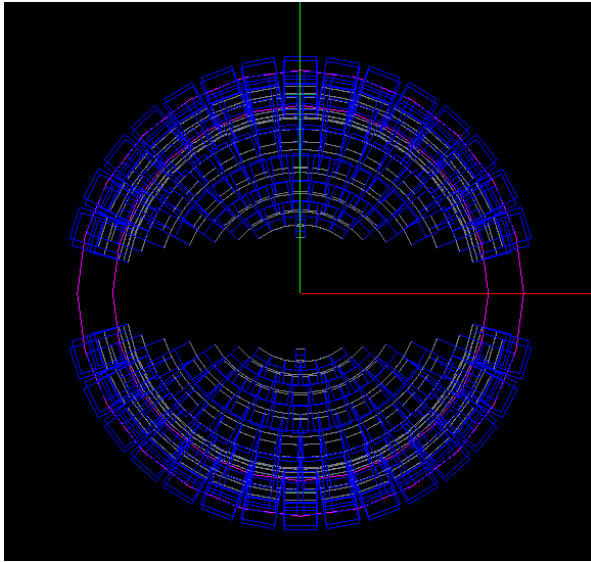
# IQMD AuAu 150MeV (charged particle only)



# DayOne Design



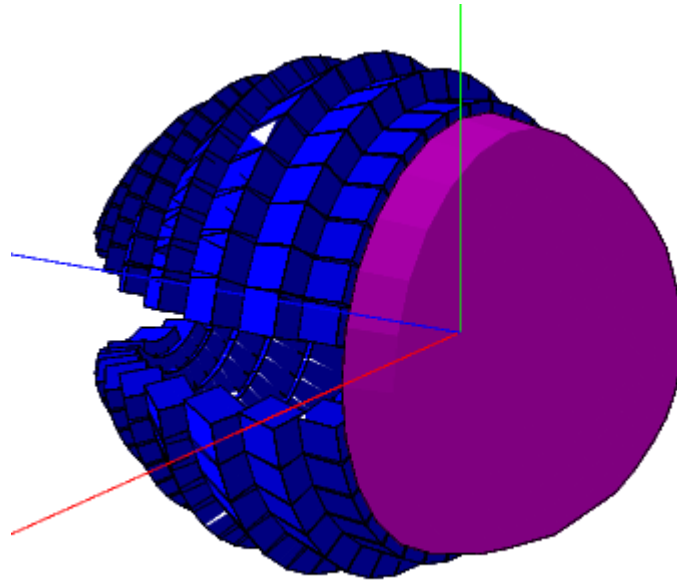
# Charged particle detector (SiCsI)



- 10 rings
- $N_{ch}(p, d, t, \alpha, \pi^+, \pi^-) < 0.2$
- 128 channels
- 10cm CsI Thickness
- Si : 2\*100 $\mu\text{m}$ , 1\*400 $\mu\text{m}$

# Gamma detector

- CsI
- 10cm thickness, 53cm inner radius



# Neutron detector

- Scintillator detector (bar shape)
- 180 degree coverage, 5m from target.
- 157 channels

