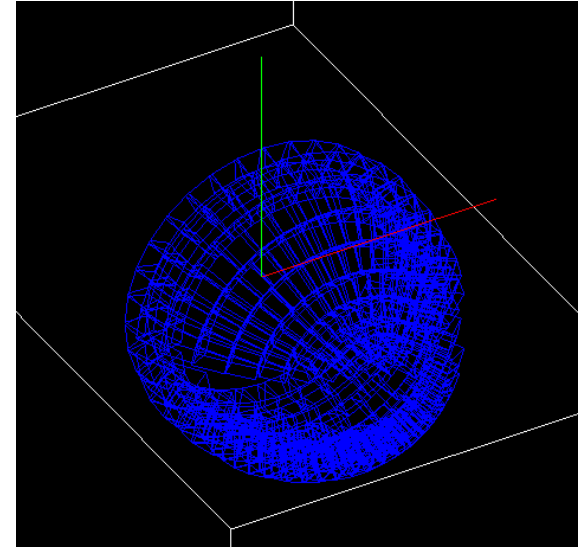
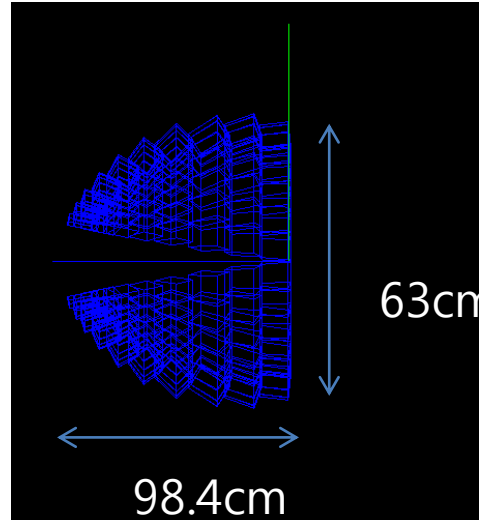
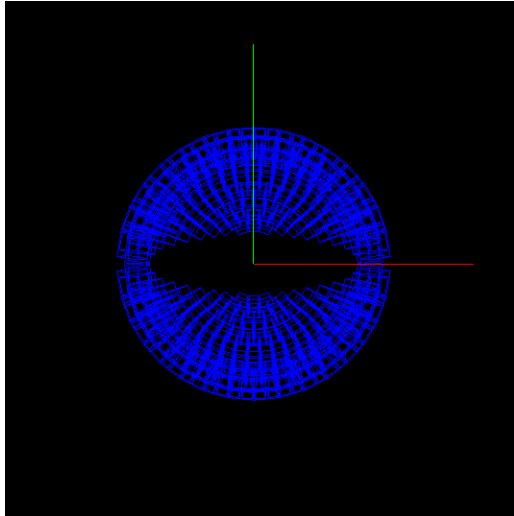


2012_11_02_1abmeeting

주은아

DayOne Design



- 10 rings
- $N_{ch}(p, d, t, \alpha, p_{i+}, p_{i-}) < 0.2$